

(A/E/C Please verify the Lap Length (Typ.))

Lap Schedule 3000 PSI For Foundation (Class - B)

Size	Top	Others
#3	33"	25"
#4	42"	32"
#5	52"	40"
#6	65"	50"
#7	92"	71"
#8	108"	80"
#9	115"	84"
#10	132"	102"

LAYOUT OF FLATS AREA-2 POUR#1 SPREAD FOOTINGS & WALL FOOTING REINFORCEMENT DETAILS
SCALE: 1/8" = 1'-0"
SDR: 5F120A & 5F120B

LABEL LEGENDS

6x2x6 #4 4A09 @12" B2

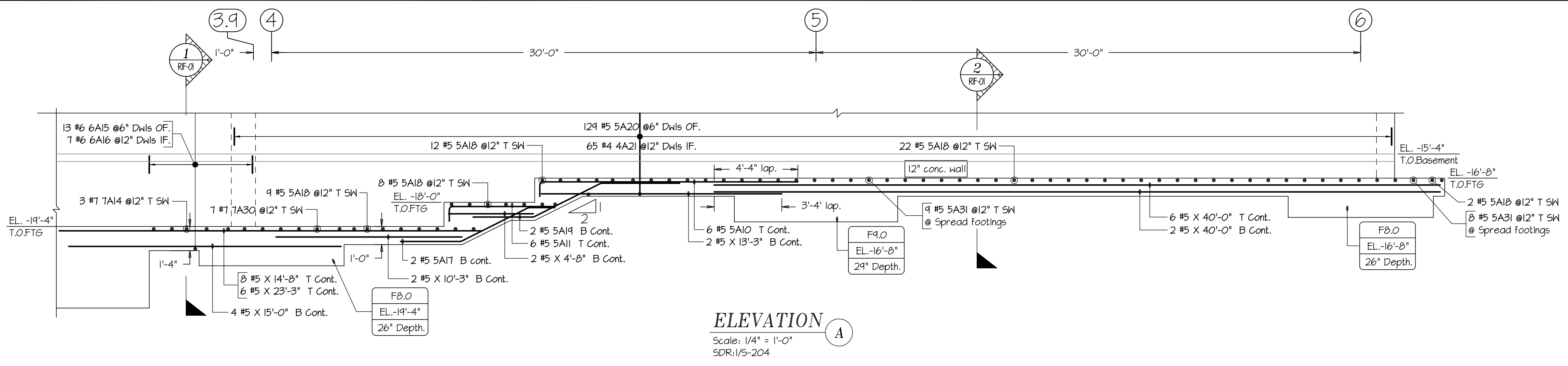
NOTES
SPACING
BAR MARK
BAR SIZE
NUMBER OF BARS
EACH FACE/EACH SIDE
NUMBER OF LOCATION

ALL MATERIAL ON THIS DRAWING
**ASTM A615
GRADE 60 BLACK U.N.O**

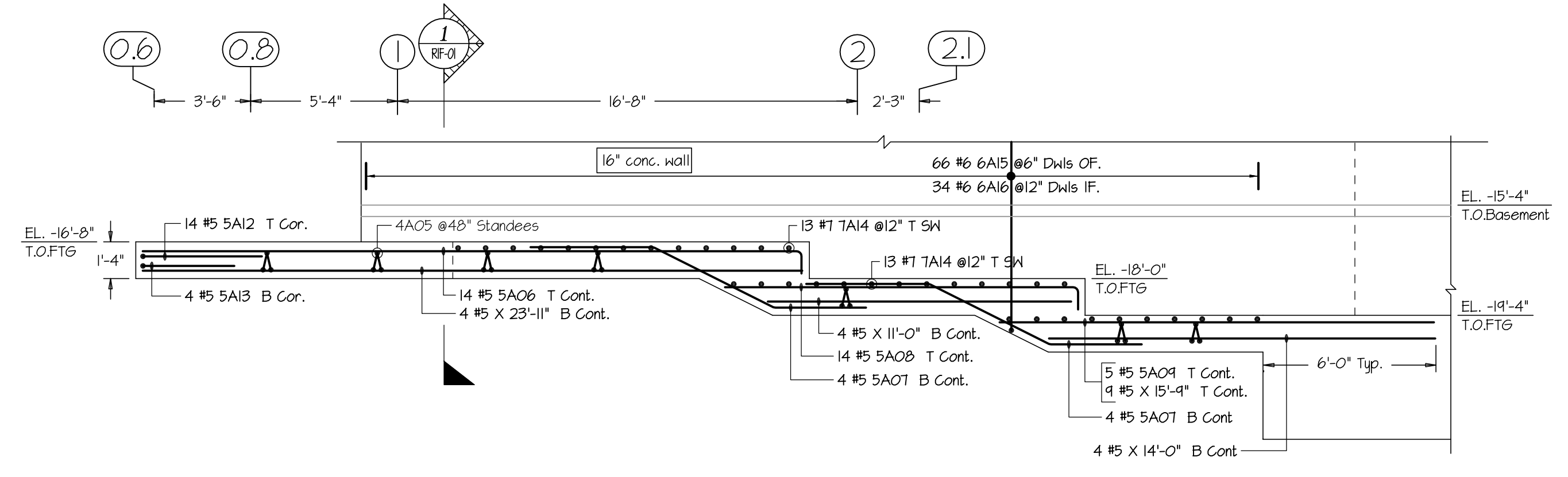
Provide 3" Cover For Footing Reinforcement at sides & bot -Typ
Provide 2" Cover For Footing Reinforcement at Top -Typical

For Spread Footing Reinforcement details Refer Dwg.No: RIF-01A

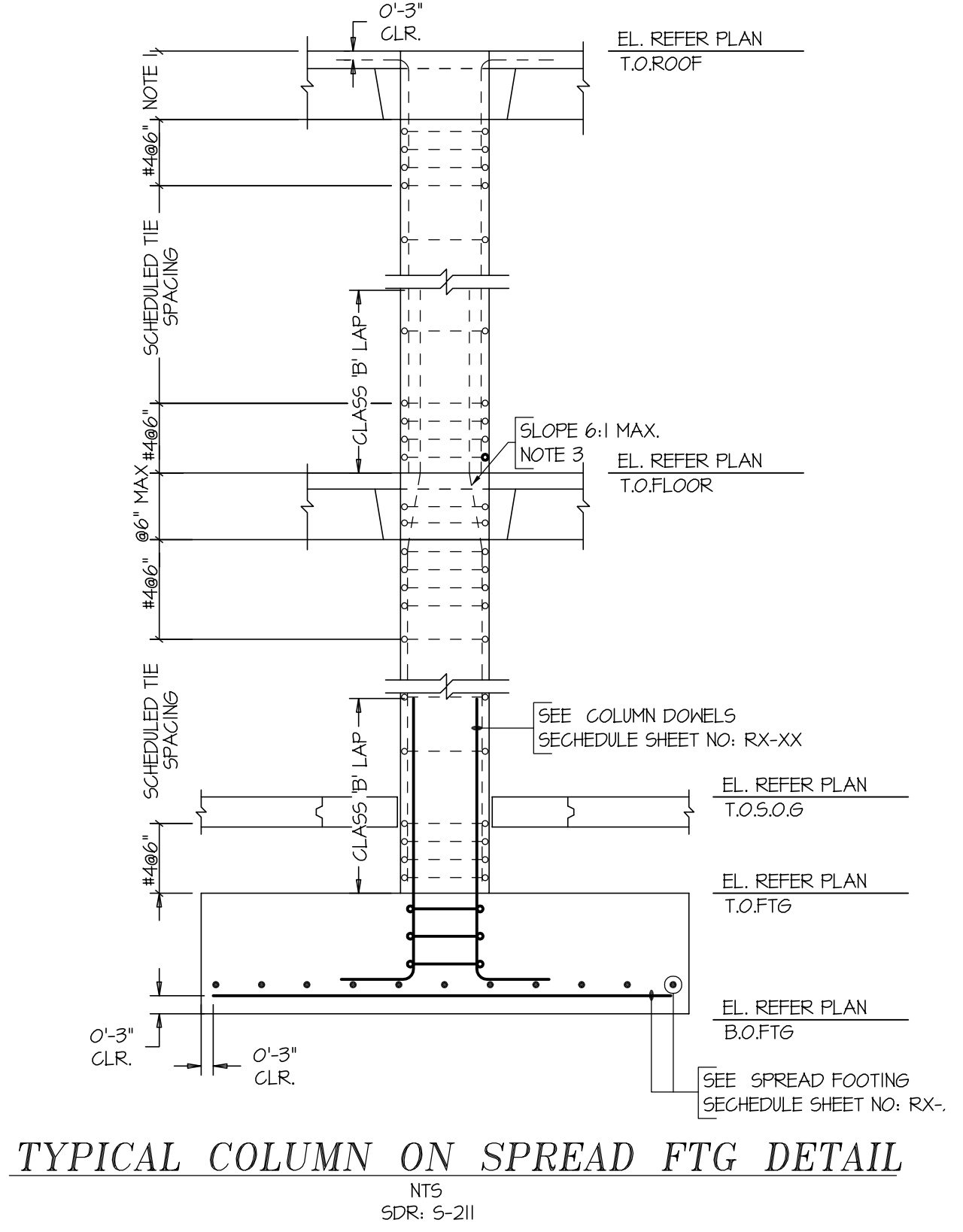
FOR APPROVAL



ELEVATION A
Scale: 1/4" = 1'-0"
SDR:1/5-204



ELEVATION B
Scale: 1/4" = 1'-0"
SDR:1/5-204,2/5-204



TYPICAL COLUMN ON SPREAD FTG DETAIL
NT5
SDR: 5-211

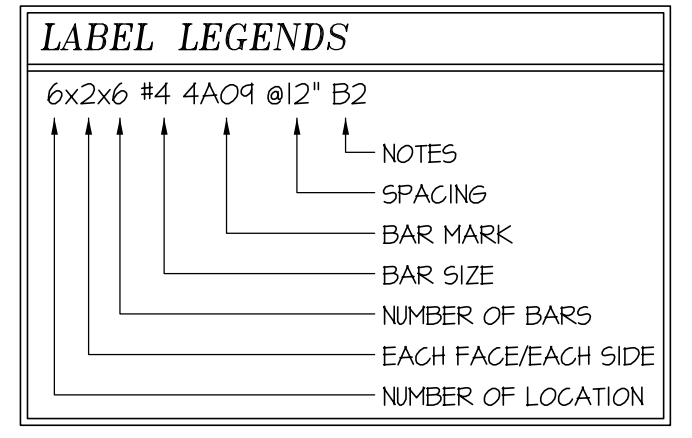
A/E/C Please verify the Column size at Grid B-1

SPREAD FOOTING & COLUMN DOWELS SCHEDULE

S.No	FOOTING MARK	SIZE	TOP OF FOOTING	QTY	REINFORCEMENT	COLUMN MARK OR GRID MARK	COLUMN SIZE	COLUMN DOWELS	REMARKS
1	F6.0	6'-0" X 6'-0" X 1'-8"	EL. -16'-8"	1	2x6 #6 X 5'-6" B EH	B-1	18" X 24"	Ø #1 TA23 Dwls. 3 #3 3A01 Temp.Ties	REFER TYP. DETAIL
2	F8.0	8'-0" X 8'-0" X 2'-2"	EL. -16'-8"	1	2x8 #1 X 7'-6" B EH 4 #5 5A04 Ø48" CMU Dwls.	B-6	18" X 24"	Ø #1 TA02 Dwls. 3 #3 3A01 Temp.Ties	REFER TYP. DETAIL
3	F8.0A	8'-0" X 8'-0" X 2'-2"	EL. -19'-4"	1	2x8 #1 X 7'-6" B EH	B-4	18" X 24"	Ø #1 TA02 Dwls. 3 #3 3A01 Temp.Ties	REFER TYP. DETAIL
4	F9.0	9'-0" X 9'-0" X 2'-5"	EL. -16'-8"	7	1x2x4 #8 X 8'-6" B EH	B-5, C-2-0.6, D-2-0.6, F-2, F-3, F-4 & F-5	18" X 24"	1x8 #1 TA22 Dwls. 1x3 #3 3A01 Temp.Ties	REFER TYP. DETAIL
5	F9.0A	9'-0" X 9'-0" X 2'-5"	EL. -18'-0"	1	2x4 #8 X 8'-6" B EH	B-2.1	18" X 24"	Ø #1 TA02 Dwls. 3 #3 3A01 Temp.Ties	REFER TYP. DETAIL
6	F12.0	12'-0" X 12'-0" X 3'-1"	EL. -16'-8"	4	4x2x12 #4 X 11'-6" B EH	C-6, C-01-2.1, E-2.1 & E-6	18" X 24"	4x8 #1 TA24 Dwls. 4x3 #3 3A01 Temp.Ties	REFER TYP. DETAIL
7	F12.0A	12'-0" X 12'-0" X 3'-1"	EL. -19'-4"	1	2x12 #4 X 11'-6" B EH	C-4	18" X 24"	Ø #1 TA24 Dwls. 3 #3 3A01 Temp.Ties	REFER TYP. DETAIL
8	F13.0	13'-0" X 13'-0" X 3'-3"	EL. -16'-8"	5	5x2x13 #4 X 12'-6" B EH	C-5, D-2, D-3, D-6	18" X 24"	4x8 #1 TA25 Dwls. 4x3 #3 3A01 Temp.Ties	REFER TYP. DETAIL
							18" X 24"	Ø #8 8A03 Dwls. 3 #3 3A01 Temp.Ties	REFER TYP. DETAIL
9	F14.0	14'-0" X 14'-0" X 3'-6"	EL. -16'-8"	2	2x2x14 #4 X 13'-6" B EH	E-3 & E-3.4	18" X 24"	2x8 #1 TA26 Dwls. 2x3 #3 3A01 Temp.Ties	REFER TYP. DETAIL
10	F14.0A	14'-0" X 14'-0" X 3'-6"	EL. -20'-10"	1	2x14 #4 X 13'-6" B EH	D-4	18" X 24"	Ø #1 TA26 Dwls. 3 #3 3A01 Temp.Ties	REFER TYP. DETAIL
11	F15.0	15'-0" X 15'-0" X 3'-9"	EL. -20'-10"	1	2x15 #4 X 14'-6" B EH	D-5	18" X 24"	Ø #1 TA27 Dwls. 3 #3 3A01 Temp.Ties	REFER TYP. DETAIL

ALL MATERIAL ON THIS DRAWING
**ASTM A615
GRADE 60 BLACK U.N.O**

Provide 3" Cover For Footing Reinforcement at sides & bot -Typical
Provide 2" Cover For Footing Reinforcement at Top -Typical



For Mat & Elevator Pit Reinforcement details Refer Dwg.No: RIF-02 Series

For Wall Footing Reinforcement details Refer Dwg.No: RIF-01

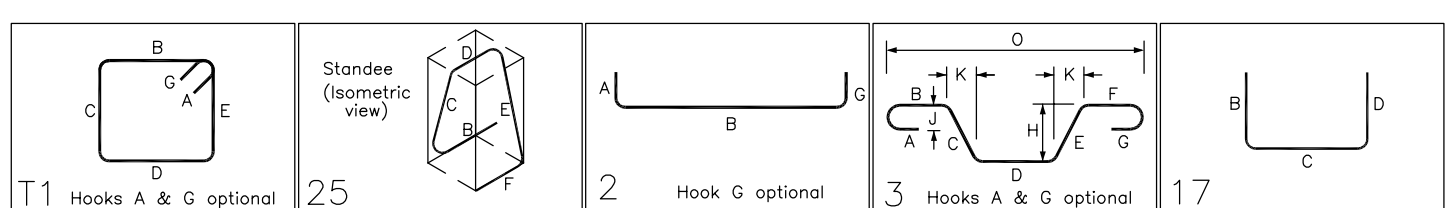
A/E/C Please verify the Lap Length (typ.)

Lap Schedule 3000 PSI For Foundation (Class - A)			Lap Schedule 3000 PSI For Foundation (Class - B)			Lap Schedule 7000 PSI For Columns (Class - B)		
Size	Top	Others	Size	Top	Others	Size	Top	Others
#3	25"	19"	#3	33"	25"	#3	18"	16"
#4	33"	25"	#4	42"	32"	#4	25"	19"
#5	39"	30"	#5	52"	40"	#5	31"	24"
#6	51"	39"	#6	65"	50"	#6	37"	28"
#7	12'	55"	#7	92"	71"	#7	53"	41"
#8	81"	62"	#8	108"	80"	#8	61"	47"
#9	90"	69"	#9	115"	89"	#9	69"	53"
#10	103"	79"	#10	132"	102"	#10	77"	59"

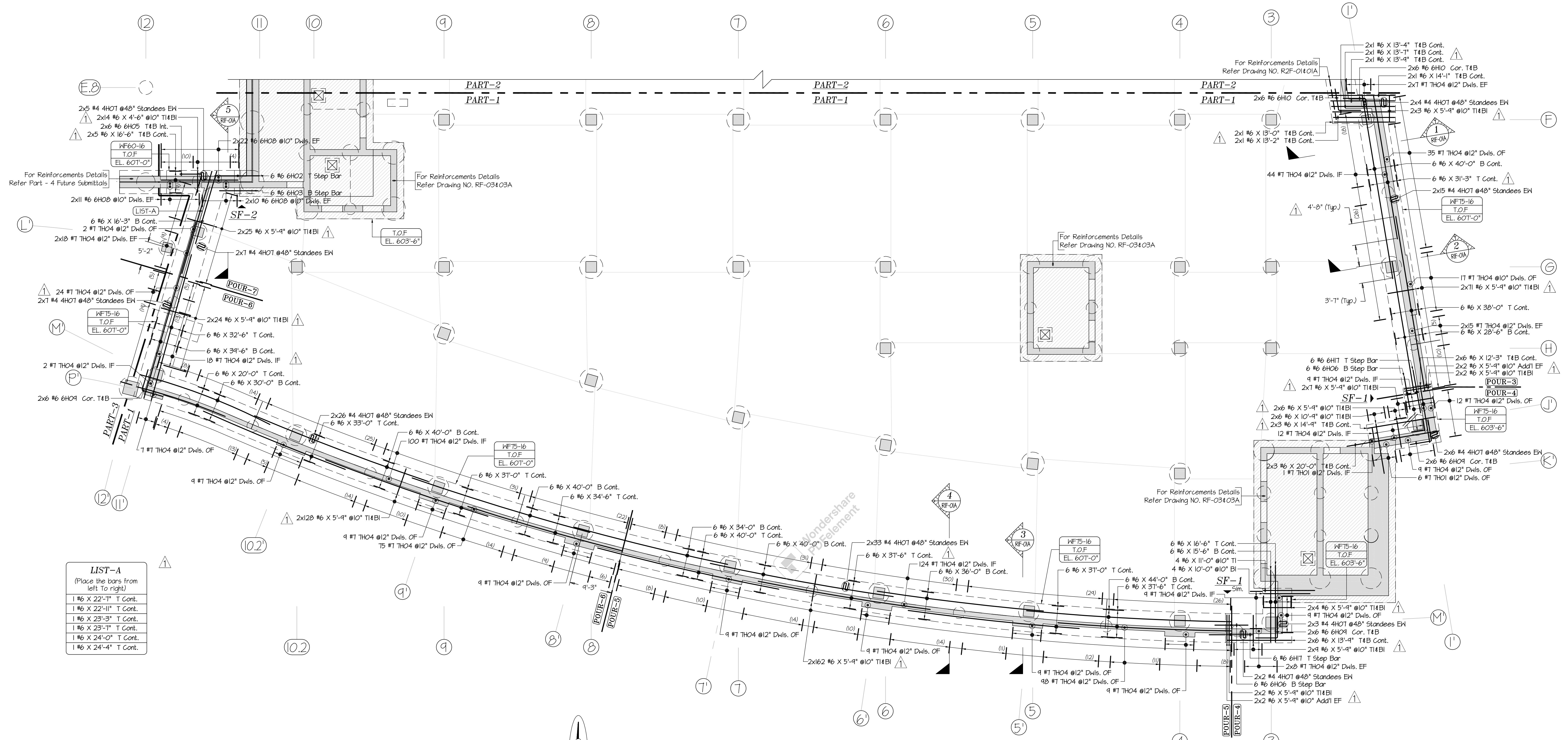
Drawing Sheet : RIF-01-01A

BENDING DETAILS

Bar Mark	Qty	Size	Total Length	Type	'A'	'B'	'C'	'D'	'E'	'F'	'G'	'H'	'J'	'K'	'L'	'M'
3A01	75	#3	6'-0 3/4"	T1	0'-4 3/4"	1'-7"	1'-1"	1'-7"	1'-1"		0'-4 3/4"					
3A28	3	#3	7'-2 3/4"	T1	0'-4 3/4"	1'-7"	1'-8"	1'-7"	1'-8"		0'-4 3/4"					
4A05	84	#4	5'-9 3/4"	25		1'-6"	0'-7 3/4"	1'-6"	0'-7 3/4"	1'-6"		0'-7 3/4"		0'-3 3/4"		
4A21	65	#4	3'-6"	2	0'-8"	2'-10"										
5A04	8	#5	5'-8"	2	0'-10"	4'-10"										
5A06	14	#5	24'-9"	2	0'-10"	23'-11"										
5A07	8	#5	12'-8 3/4"	3		4'-5 3/4"	4'-10 3/4"	3'-4"				2'-3"		4'-4 3/4"	12'-1 3/4"	
5A08	14	#5	13'-8"	2	0'-10"	12'-10"										
5A09	5	#5	10'-1"	2	0'-10"	9'-3"										
5A10	6	#5	15'-1"	2	0'-10"	14'-3"										
5A11	6	#5	6'-8"	2	0'-10"	5'-10"										
5A12	14	#5	8'-8"	17		4'-4"	4'-4"									
5A13	4	#5	6'-8"	17		3'-4"	3'-4"									
5A17	2	#5	8'-11 3/4"	3		1'-5 3/4"	4'-1 3/4"	3'-4"				1'-11"		3'-8 3/4"	8'-5 3/4"	
5A18	53	#5	6'-4"	2	0'-10"	5'-6"										
5A19	2	#5	11'-9 3/4"	3		4'-4"	4'-1 3/4"	3'-4"				1'-11"		3'-8 3/4"	11'-4 3/4"	
5A20	129	#5	7'-0"	17		1'-7"	5'-5"									
5A31	17	#5	6'-7"	2	0'-10"	5'-9"										
6A15	318	#6	12'-0"	17		2'-11"	9'-1"									
6A16	161	#6	6'-3"	2	1'-0"	5'-3"										
7A02	32	#7	6'-9"	2	1'-2"	5'-7"										
7A14	132	#7	12'-2"	2	1'-2"	11'-0"										
7A22	56	#7	7'-0"	2	1'-2"	5'-10"										
7A23	8	#7	6'-3"	2	1'-2"	5'-1"										
7A24	40	#7	7'-8"	2	1'-2"	6'-6"										
7A25	32	#7	7'-10"	2	1'-2"	6'-8"										
7A26	24	#7	8'-1"	2	1'-2"	6'-11"										
7A27	8	#7	8'-4"	2	1'-2"	7'-2"										
7A29	18	#7	13'-3"	2	1'-2"	12'-1"										
7A30	7	#7	16'-8"	2	1'-2"	15'-6"										
8A03	8	#8	8'-6"	2	1'-4"	7'-2"										



FOR APPROVAL



LAYOUT OF PART-1 WALL FOOTING DETAILS

Scale: 3/32"=1'-0"
 SDR : 2.5001-2.5003, 2/2.50B0, 2.51B1, 2.51B5, 2.5501-2.5506

LIST-A
 (Place the bars from left to right)

1 #6 X 22'-11" T Cont.
1 #6 X 22'-11" T Cont.
1 #6 X 23'-3" T Cont.
1 #6 X 23'-7" T Cont.
1 #6 X 24'-0" T Cont.
1 #6 X 24'-4" T Cont.

LEGENDS

T.O.F	- Top of Wall Footing
Dwls	- Dowels
Cont.	- Continuous
Cor.	- Corner
EL.	- Elevation
Typ.	- Typical
T	- Top
B	- Bottom
ES	- Each Side
EH	- Each Way
EF	- Each Face
SF	- Side Face
IF	- Inner Face
OF	- Outer Face
BI	- Bottom 1st Layer
TI	- Top 1st Layer
GB	- Grade Beam

Lap Schedule For Foundations 3000 PSI (Class - B)

Size	Top	Bot
#3	28"	22"
#4	31"	24"
#5	41"	36"
#6	56"	43"
#7	81"	63"
#8	43"	72"

Lap Schedule For Walls 4000 PSI (Class - B)

Size	Horiz.	Vert.
#3	24"	14"
#4	32"	25"
#5	40"	31"
#6	48"	37"
#7	70"	54"
#8	80"	62"

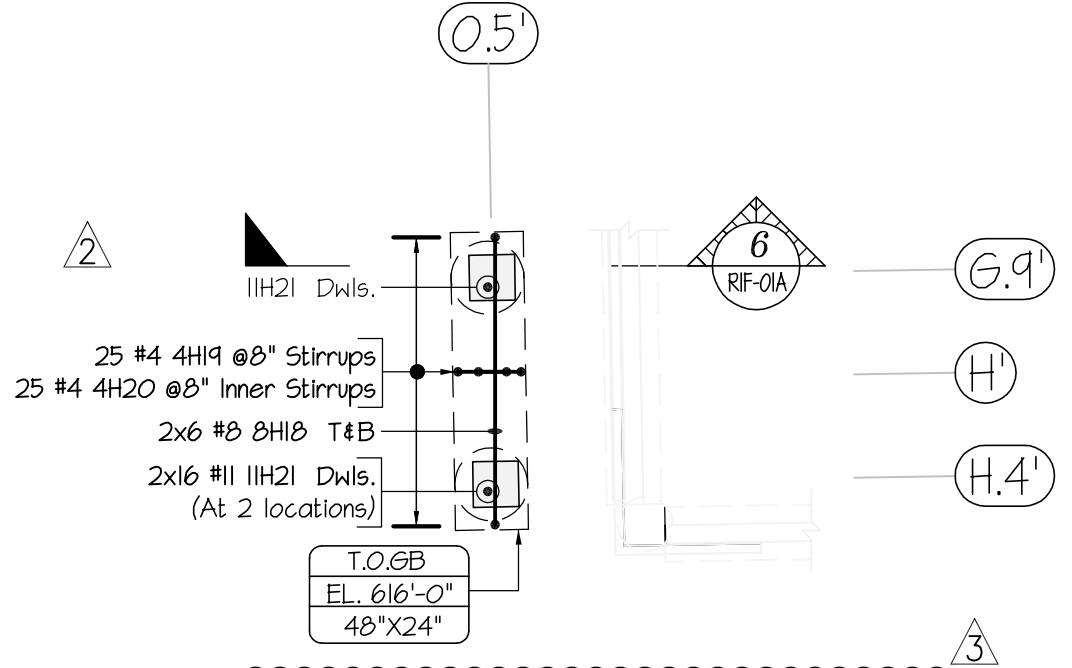
Lap Schedule For Column 5000 PSI (Class - B)

Size	Horiz.	Vert.
#8	72"	55"
#9	81"	63"
#10	91"	70"
#11	101"	78"

Provide 3" Cover For Wall Footing & Grade Beam Reinforcement at Bottom 4 Sides -Typical
 Provide 2" Cover For Wall Footing & Grade Beam Reinforcement at Top -Typical

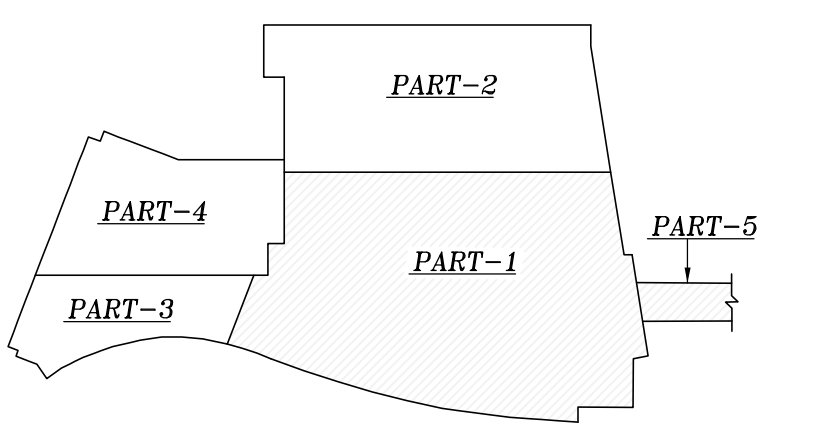
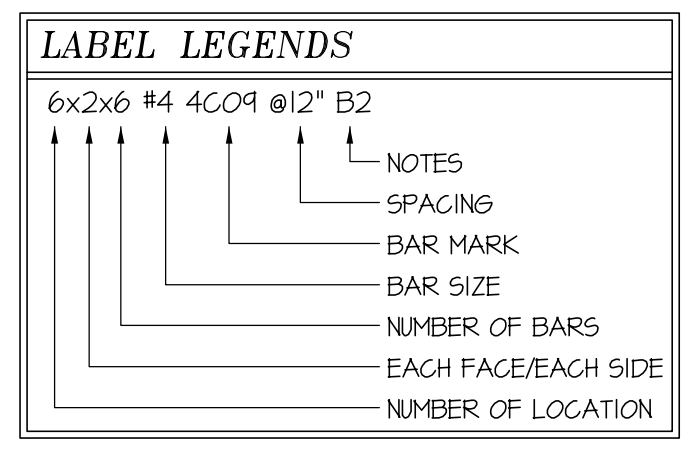
ALL MATERIAL ON THIS DRAWING
ASTM A615
GRADE 60 BLACK U.N.O

For Sections and BB5 refer Dwg : RIF-01A.

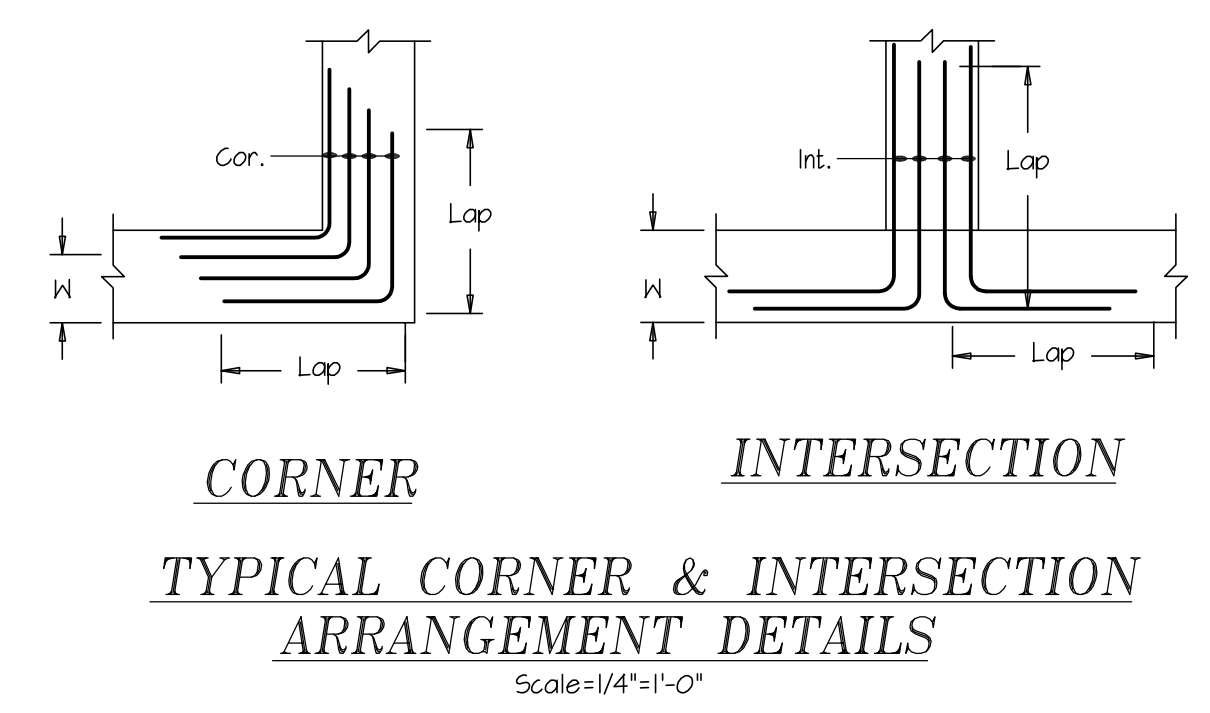
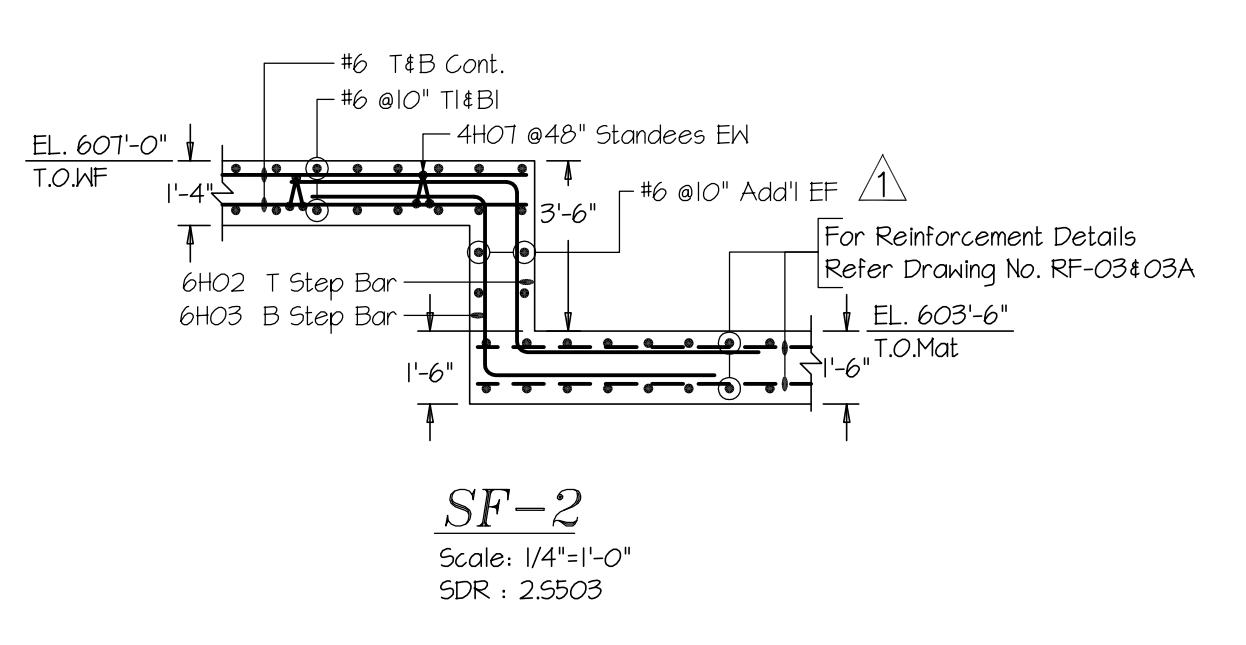
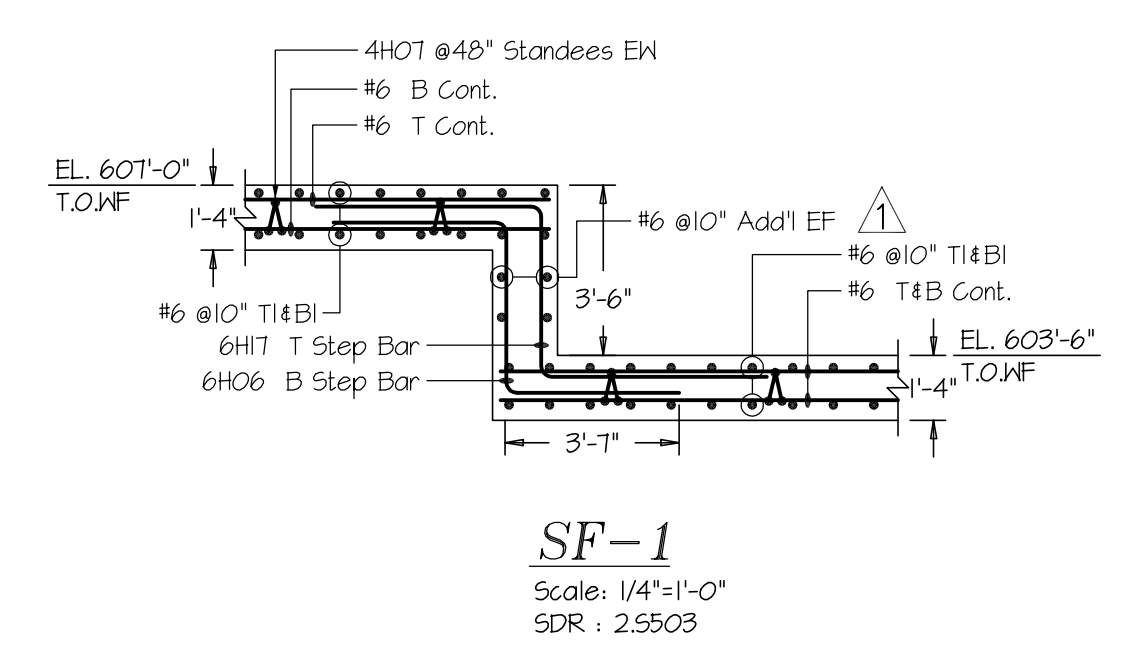
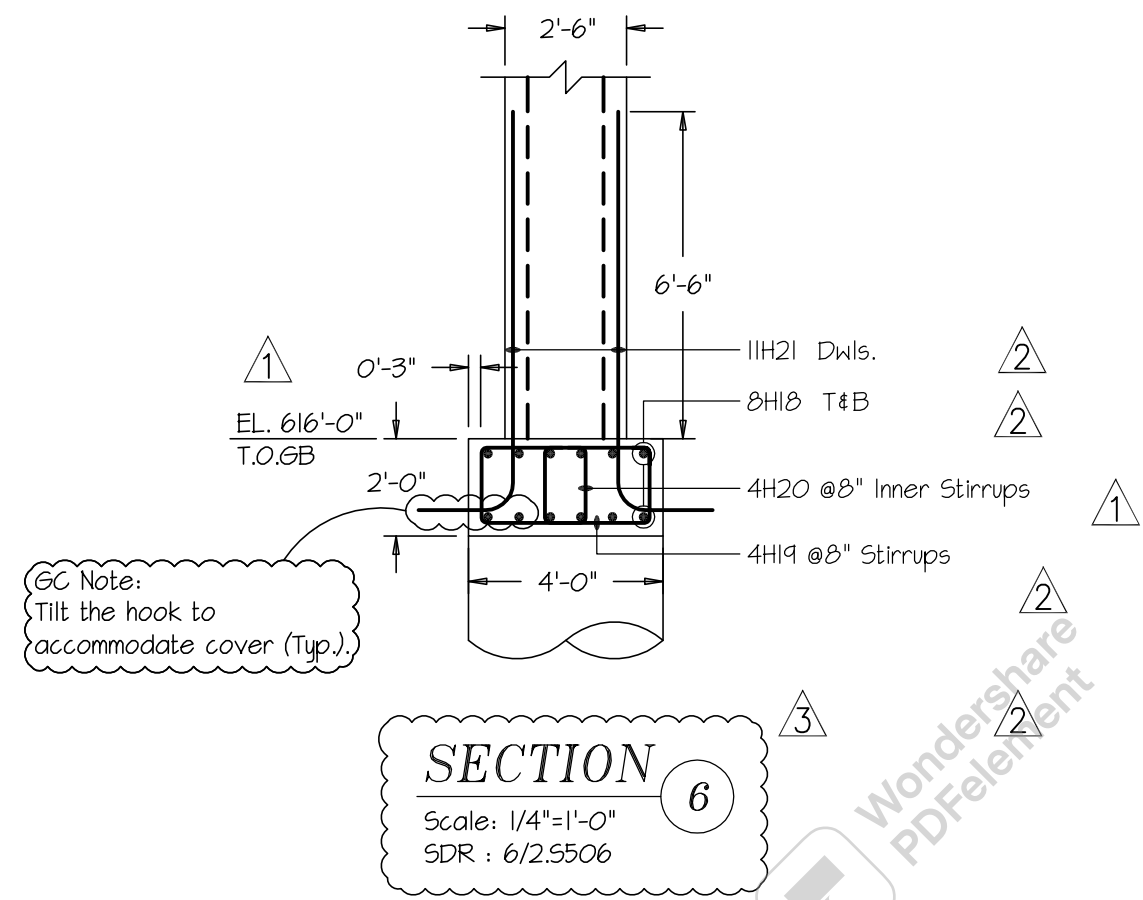
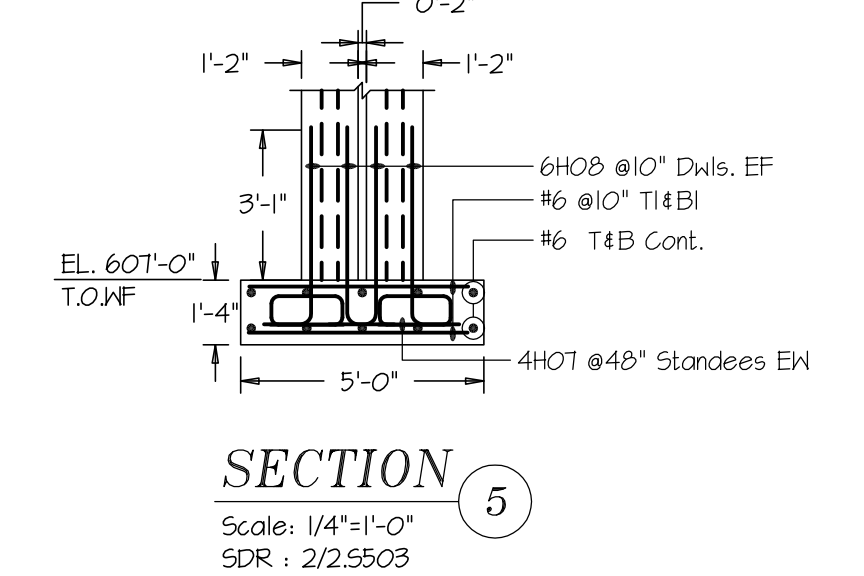
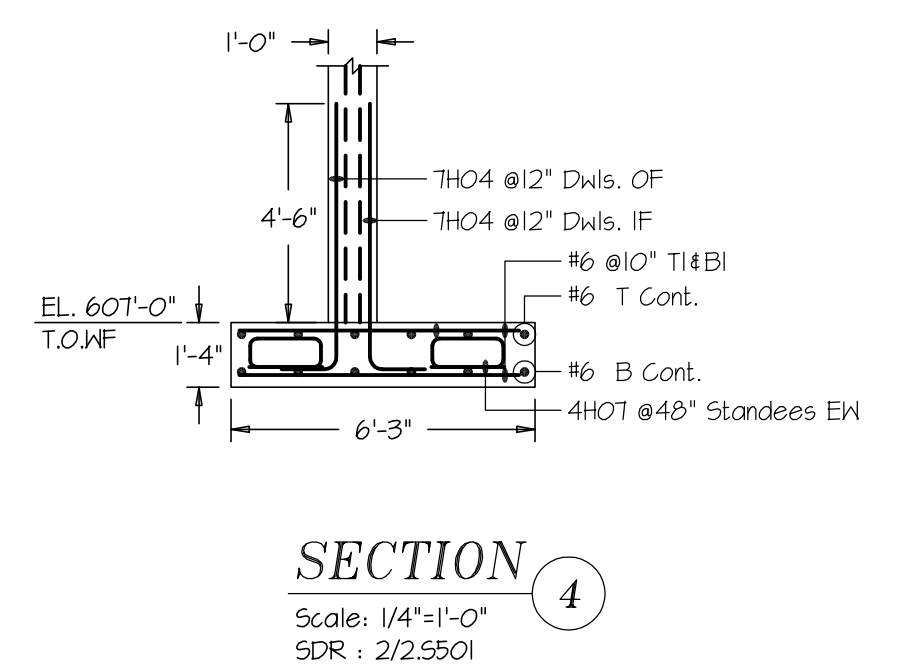
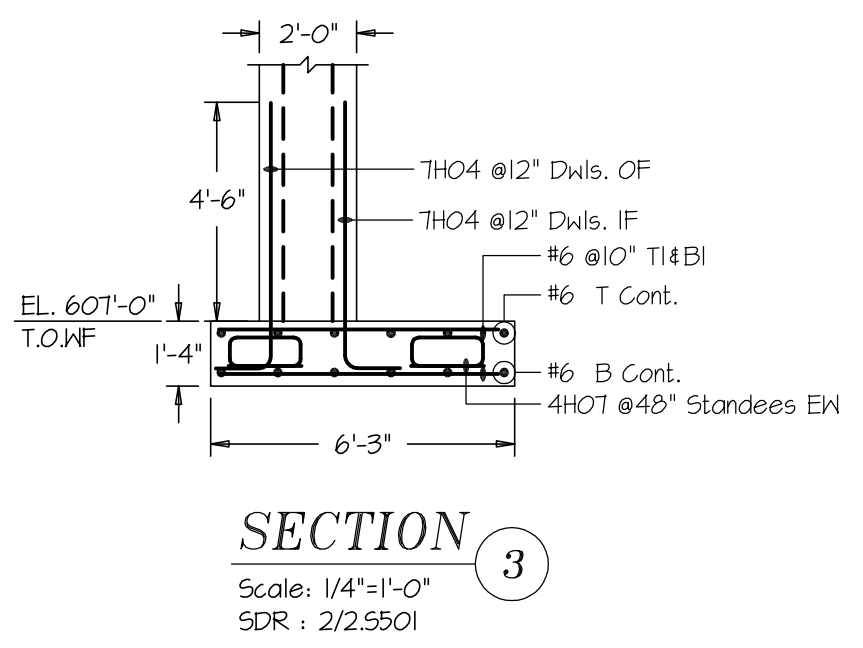
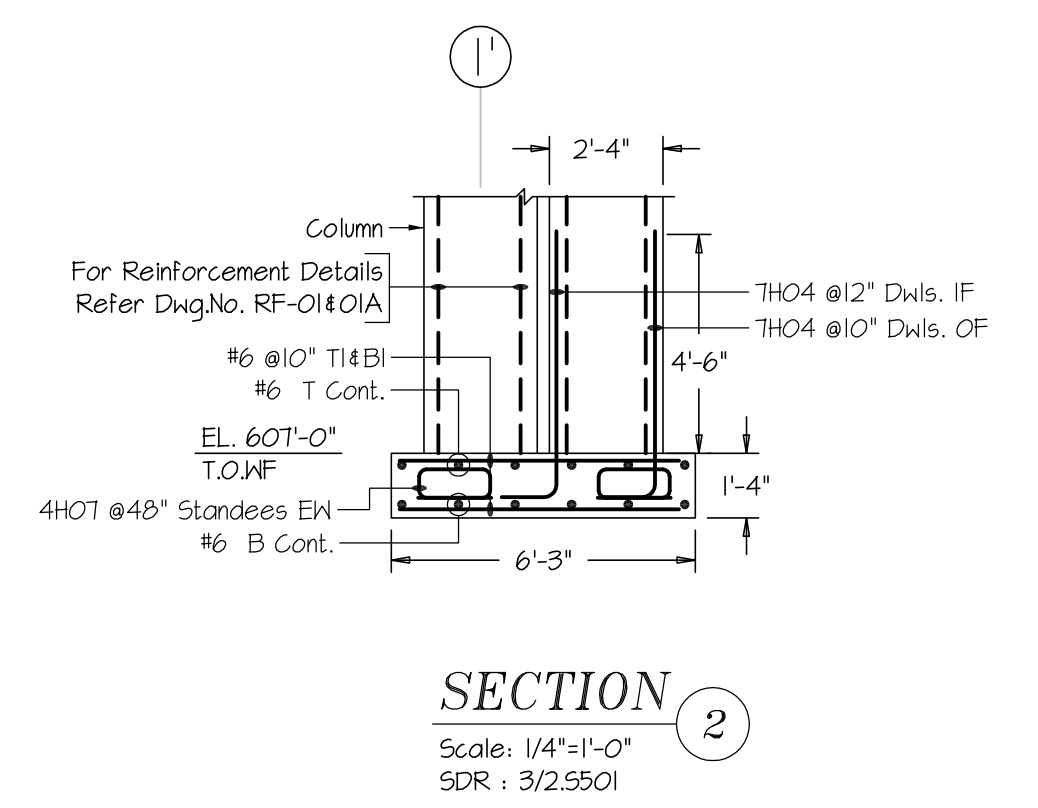
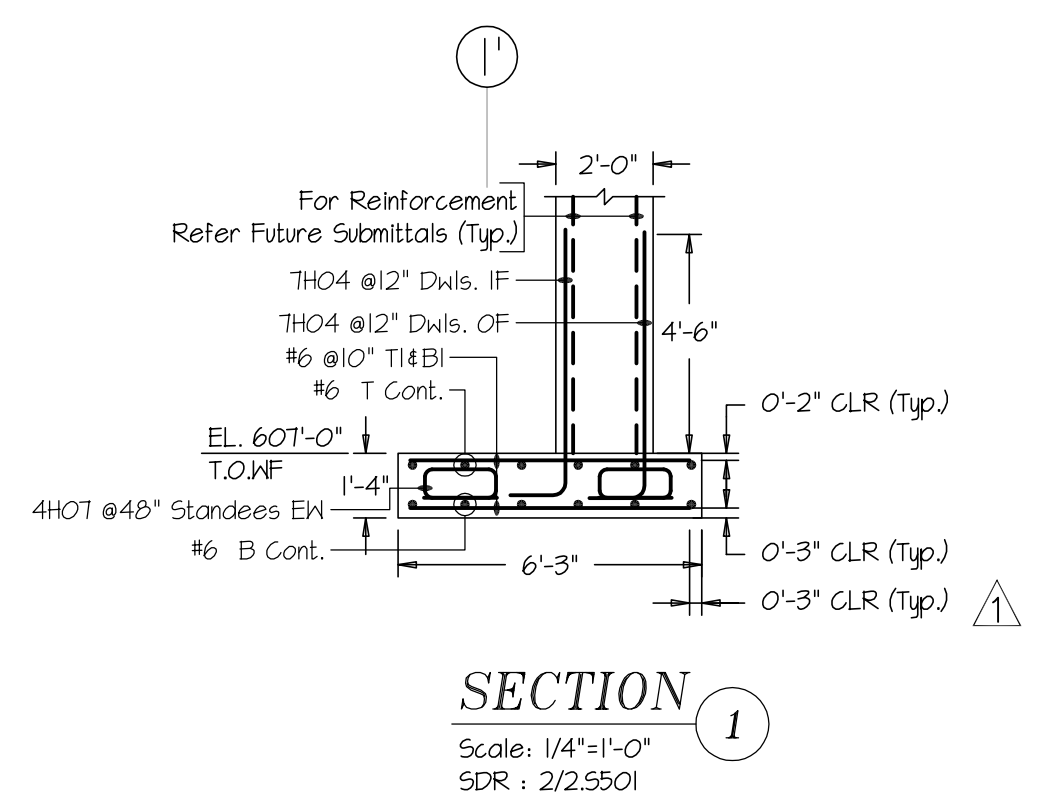


LAYOUT OF PART-5 GRADE BEAM DETAILS

Scale: 3/32"=1'-0"
 SDR : 2/2.51B5

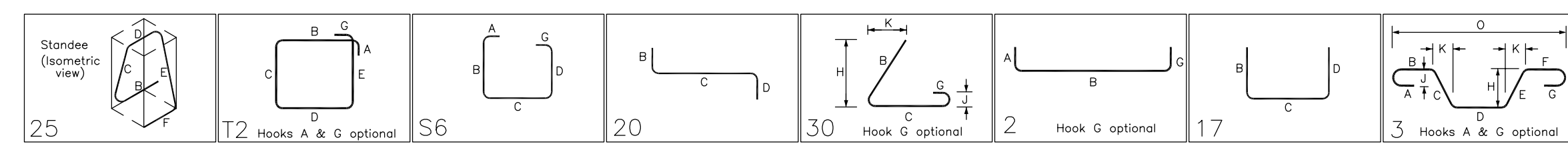


AREA KEY PLAN
 NTS

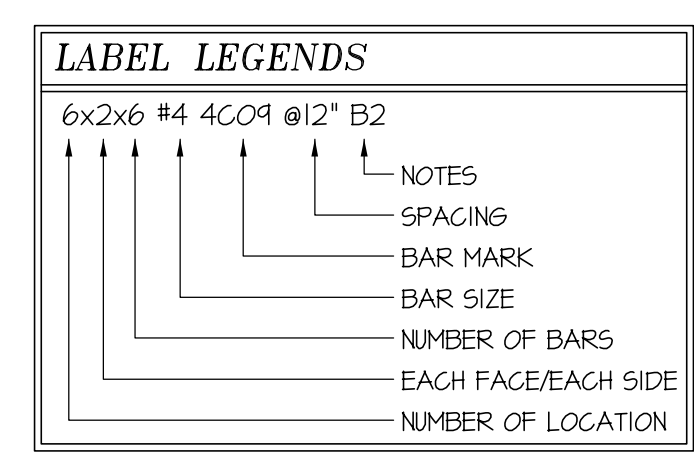


Drawing Sheet : R1F-01

		BENDING DETAILS															
Bar Mark	Qty	Size	Total Length	Type	'A'	'B'	'C'	'D'	'E'	'F'	'G'	'H'	'J'	'K'	'L'	'M'	
4H07	216	#4	5'-9 3/4"	25		1'-6"	0'-7 3/4"	1'-6"	0'-7 3/4"	1'-6"		0'-7 3/4"		0'-3 3/4"			
4H19	25	#4	10'-11"	T2	0'-4 1/2"	3'-6"	1'-7"	3'-6"	1'-7"			0'-4 1/2"					
4H20	25	#4	4'-9 3/4"	S6	0'-4 1/2"	1'-7"	0'-10 3/4"	1'-7"				0'-4 1/2"					
6H02	6	#6	13'-2 3/4"	20		4'-8"	3'-6 3/4"	5'-0"									
6H03	6	#6	12'-0 3/4"	20		3'-7"	3'-8 3/4"	4'-9"									
6H05	12	#6	9'-4 1/2"	30		4'-8 3/4"	4'-8 3/4"					4'-7"		1'-3 3/4"			
6H06	12	#6	10'-8 3/4"	20		3'-7"	3'-6 3/4"	3'-7"									
6H08	86	#6	5'-1"	2	1'-0"	4'-1"											
6H09	36	#6	9'-4"	17		4'-8"	4'-8"										
6H10	24	#6	9'-5 1/2"	3		4'-9"	4'-8 3/4"					4'-7 3/4"		0'-8 3/4"	5'-5 1/2"		
6H17	12	#6	12'-10 3/4"	20		4'-8"	3'-6 3/4"	4'-8"									
7H01	7	#7	6'-11"	2	1'-2"	5'-9"											
7H04	765	#7	6'-8"	2	1'-2"	5'-6"											
8H18	12	#8	18'-6"	2	1'-4"	15'-10"						1'-4"					
11H21	32	#11	10'-3"	2	2'-0"	8'-3"											



ALL MATERIAL ON THIS DRAWING
ASTM A615
GRADE 60 BLACK U.N.O.



Provide 3" Cover For Wall Footing & Grade Beam Reinforcement at Bottom & Sides -Typical

Provide 2" Cover For Wall Footing & Grade Beam Reinforcement at Top -Typical

LEGENDS

- T.O.WF - Top of Wall Footing
- Dwls - Dowels
- Cont. - Continuous
- Cor. - Corner
- EL. - Elevation
- Typ. - Typical
- T - Top
- B - Bottom
- E5 - Each Side
- EW - Each Way
- EF - Each Face
- SF - Side Face
- IF - Inner Face
- OF - Outer Face
- BI - Bottom 1st Layer
- T1 - Top 1st Layer
- GB - Grade Beam

Lap Schedule For Foundations 3000 PSI (Class - B)

Size	Top	Bot
#3	28"	22"
#4	37"	29"
#5	47"	36"
#6	56"	43"
#7	61"	63"
#8	43"	72"

Lap Schedule For Walls 4000 PSI (Class - B)

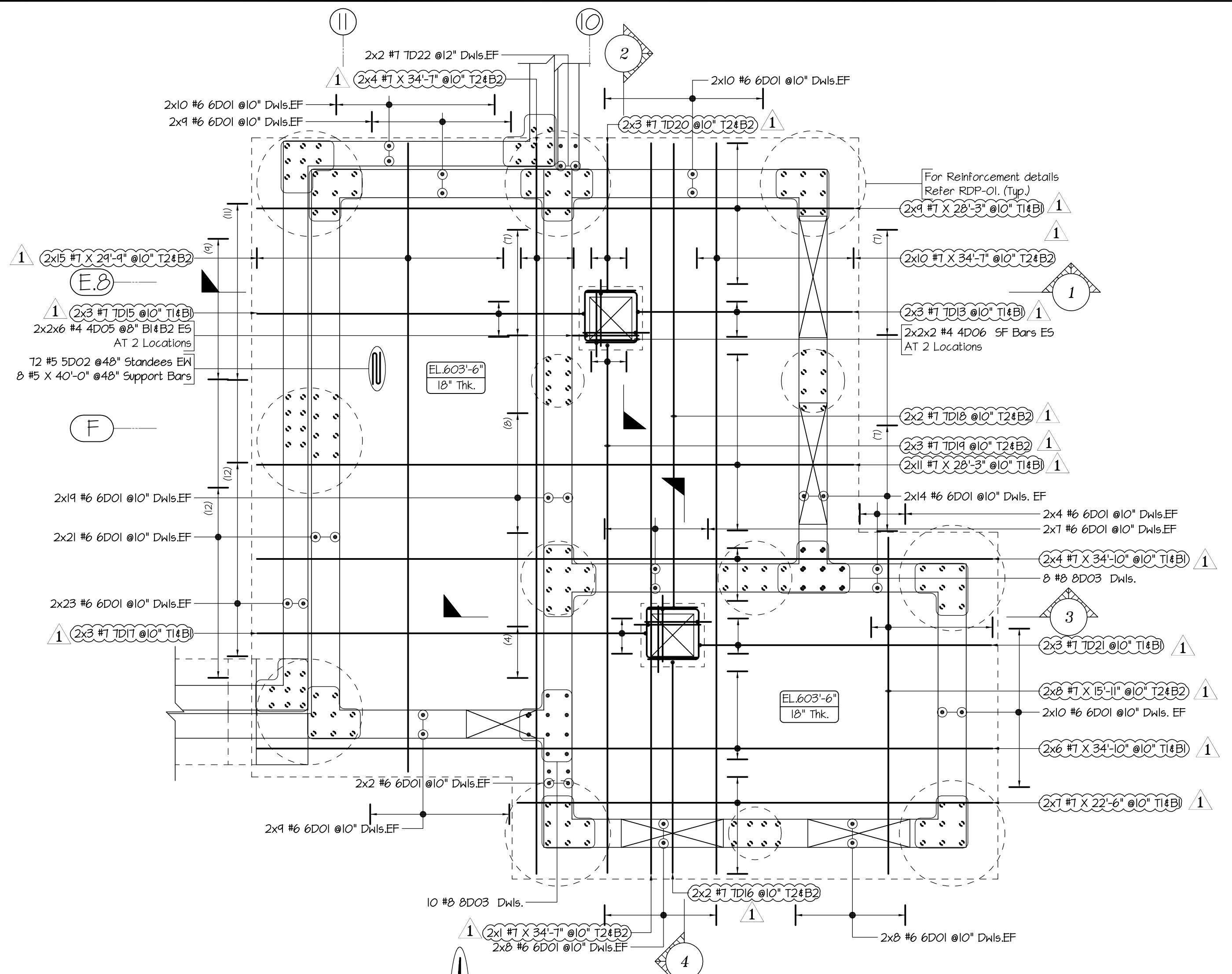
Size	Horiz.	Vert.
#3	24"	14"
#4	32"	25"
#5	40"	31"
#6	48"	37"
#7	70"	54"
#8	80"	62"

Lap Schedule For Column 5000 PSI (Class - B)

Size	Horiz.	Vert.
#3	12"	55"
#4	11"	70"
#10	101"	78"

For Key Plan Refer Dwg : R1F-01.

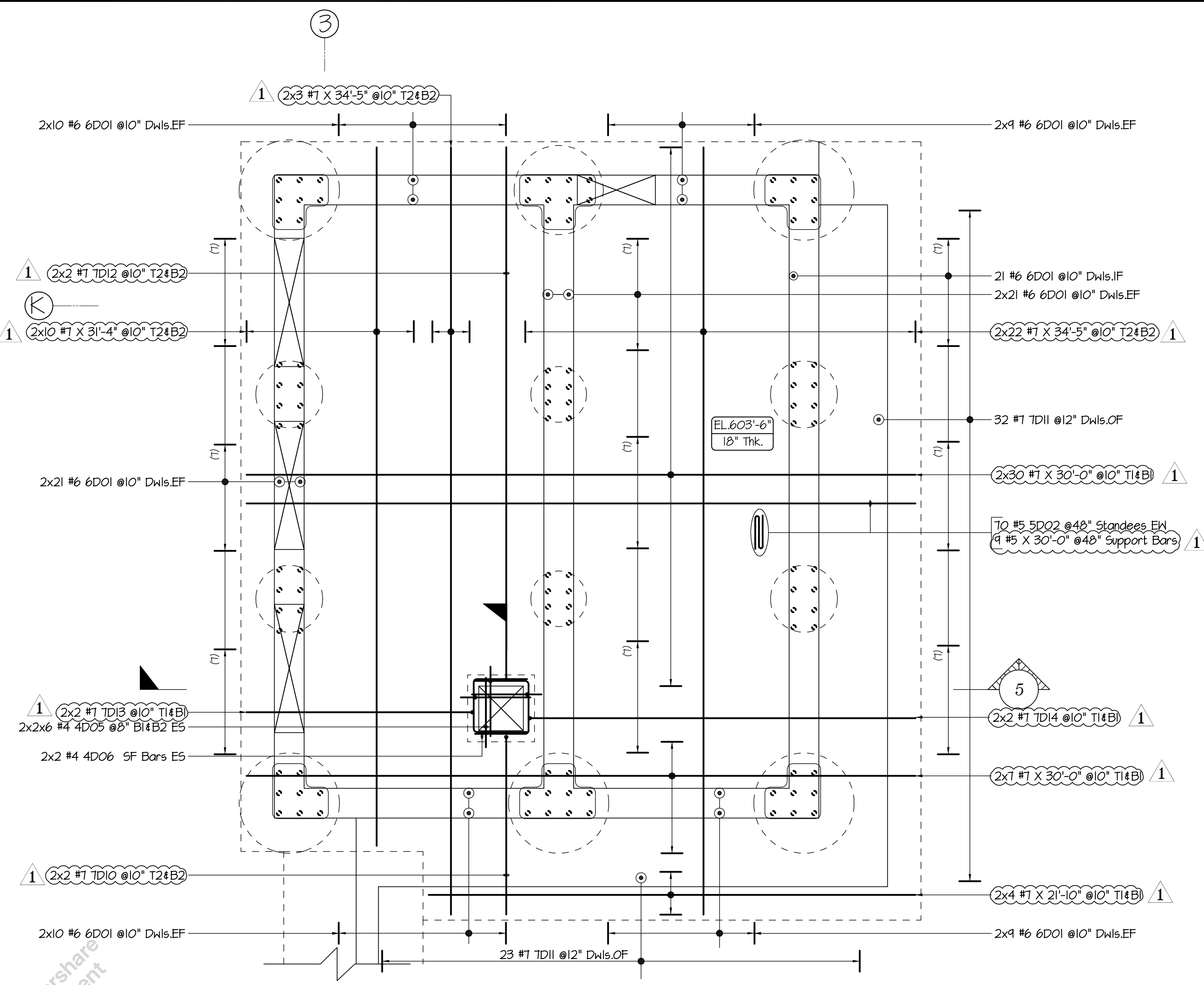
For Wall Footing & Grade Beam Details Refer Dwg : R1F-01.



DETAIL-A (MAT FOUNDATION)

STAIR C-B ELEV.90-93

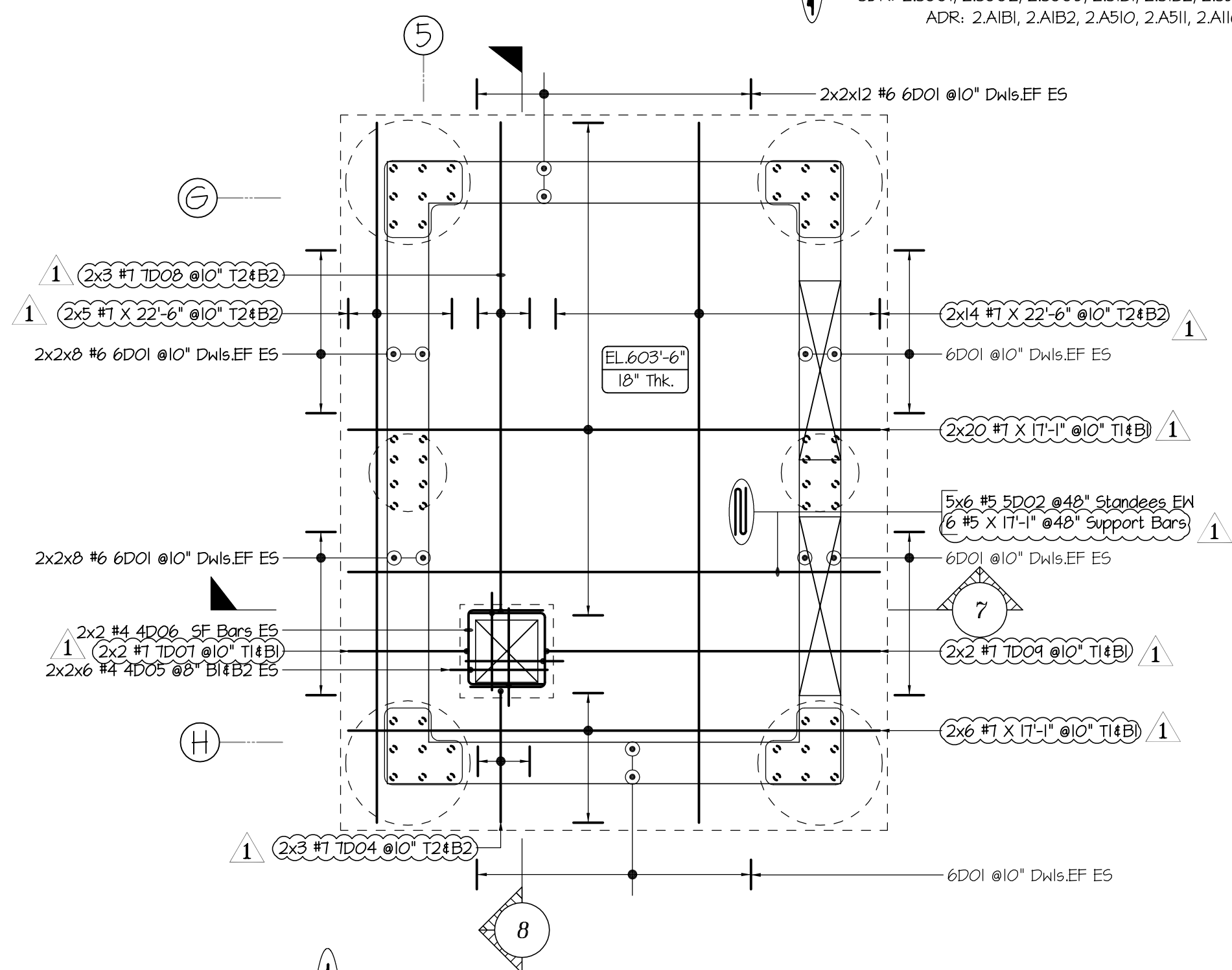
Scale : 1/4" = 1'-0"
 SDR: 2.5001, 2.5002, 2.5003, 2.51B1, 2.51B2, 2.5502, 2.5503, 2.5504
 ADR: 2.A1B1, 2.A1B2, 2.A510, 2.A511, 2.A110



DETAIL-B (MAT FOUNDATION)

STAIR SE-B ELEV.97-99

Scale : 1/4" = 1'-0"
 SDR: 2.5001, 2.5002, 2.5003, 2.51B1, 2.51B2, 2.5502, 2.5503, 2.5504
 ADR: 2.A1B1, 2.A1B2, 2.A510, 2.A511, 2.A110



DETAIL-C (MAT FOUNDATION)

ELEV.95-96

Scale : 1/4" = 1'-0"
 SDR: 2.5001, 2.5002, 2.5003, 2.51B1, 2.51B2, 2.5502, 2.5503, 2.5504
 ADR: 2.A1B1, 2.A1B2, 2.A510, 2.A511, 2.A110

ALL MATERIAL ON THIS DRAWING
ASTM A615
GRADE 60 BLACK U.N.O.

Provide 3" Cover For Pilecap Reinforcement at Bot & Sides -Typical
 Provide 2" Cover For Pilecap Reinforcement at Top -Typical

LABEL LEGENDS

6x2x6 #4 4C04 @12" B2	NOTES
↑	SPACING
↑	BAR MARK
↑	BAR SIZE
↑	NUMBER OF BARS
↑	EACH FACE/EACH SIDE
↑	NUMBER OF LOCATION

For Sections & BBS Refer
 Dwg.No: RF-03A

LEGENDS

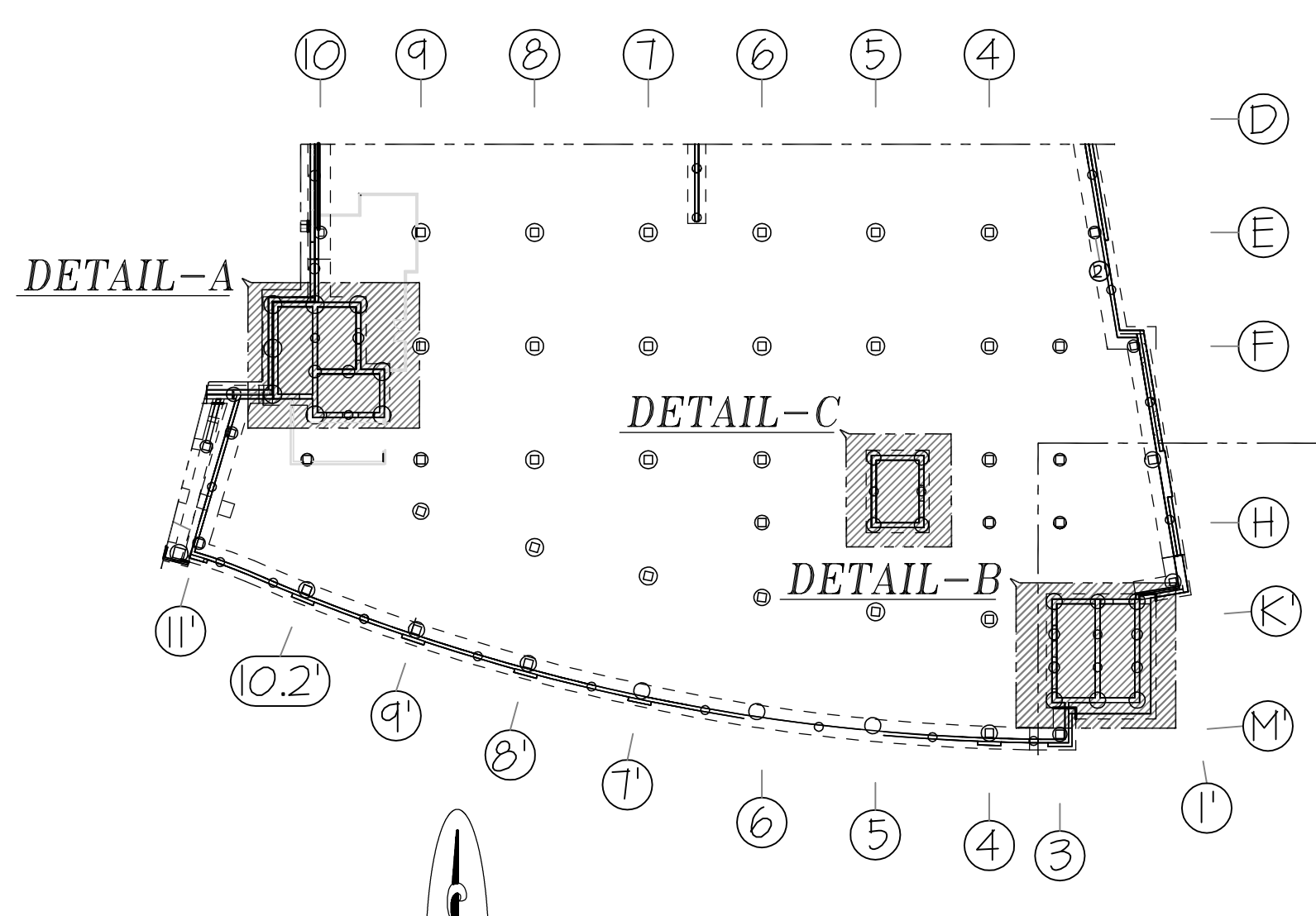
B1	- Bottom 1st layer
B2	- Bottom 2nd layer
T1	- Top 1st layer
T2	- Top 2nd layer
EL.	- Elevation
Dwls.	- Dowel
Typ.	- Typical
T.O.M	- Top of Mat
E5	- Each Sides
EF	- Each Face
Add1	- Additional

Lap Schedule For Foundations 3000 PSI (Class - B)

Size	Top	Bot
#3	28"	22"
#4	31"	24"
#5	41"	36"
#6	56"	43"
#7	81"	63"
#8	93"	72"

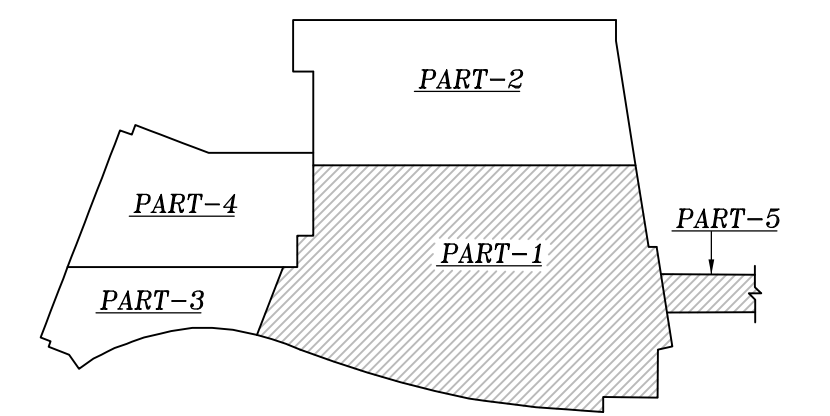
Lap Schedule For Walls 4000 PSI (Class - B)

Size	Horiz.	Vert.
#3	24"	18"
#4	32"	25"
#5	40"	31"
#6	48"	37"
#7	70"	54"
#8	80"	62"



PART 1 & 5 KEY PLAN

NT5



AREA KEY PLAN

NT5