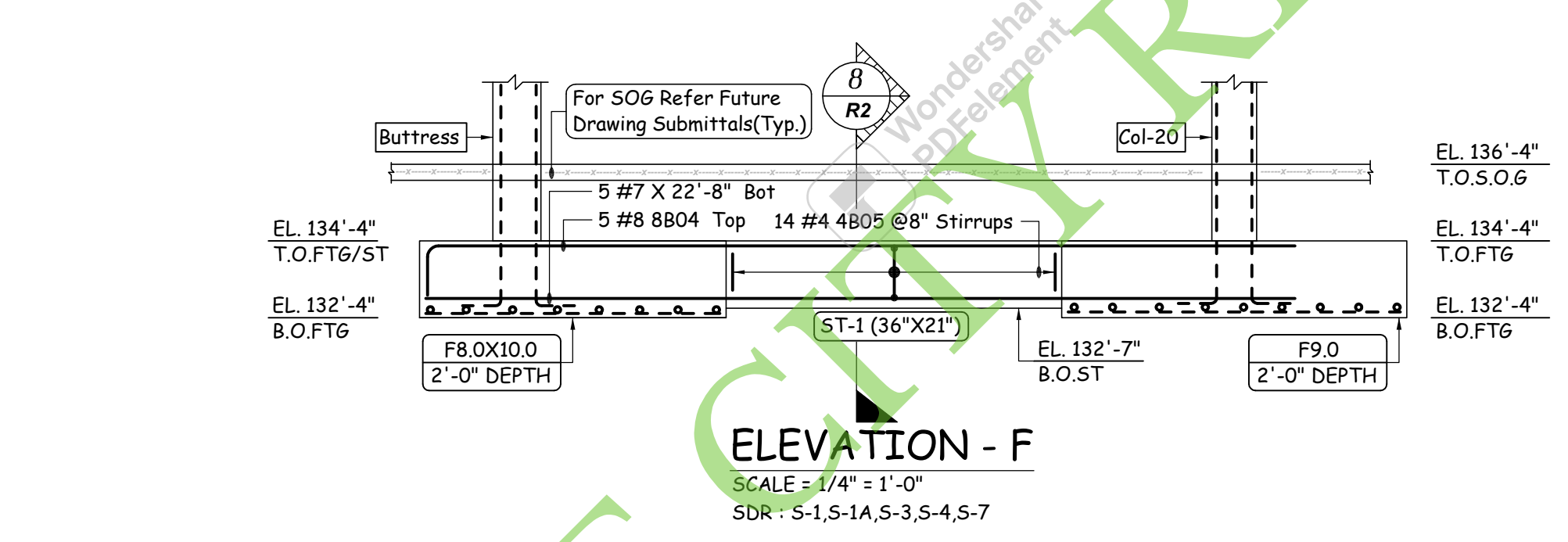
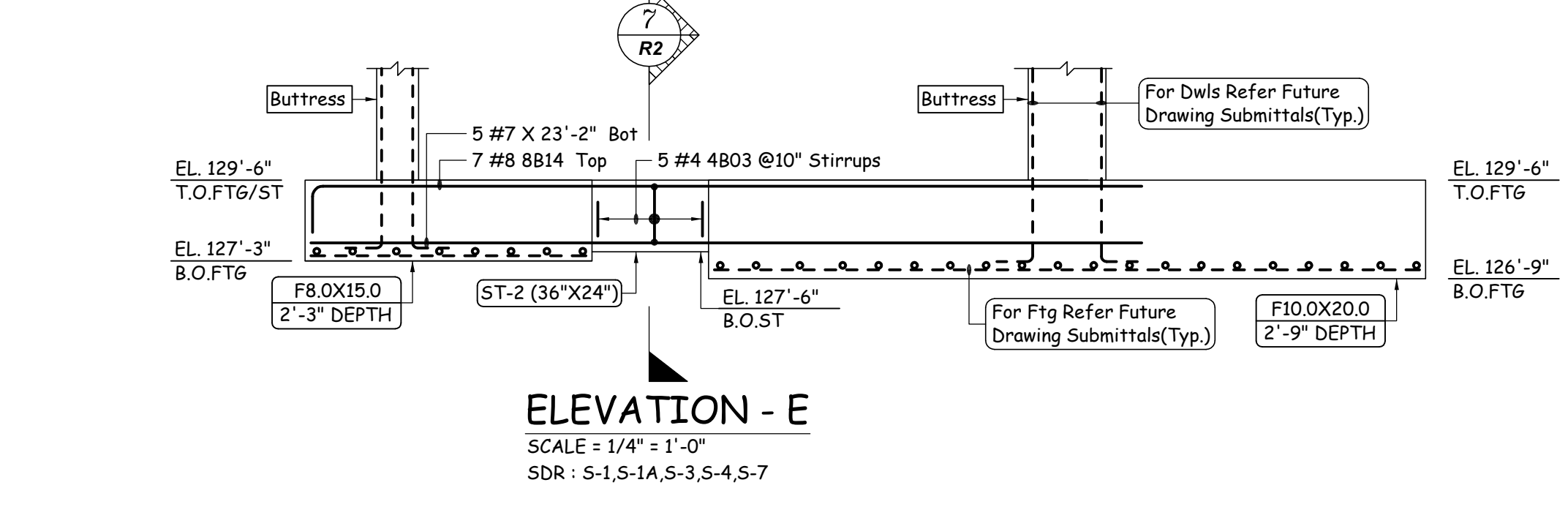
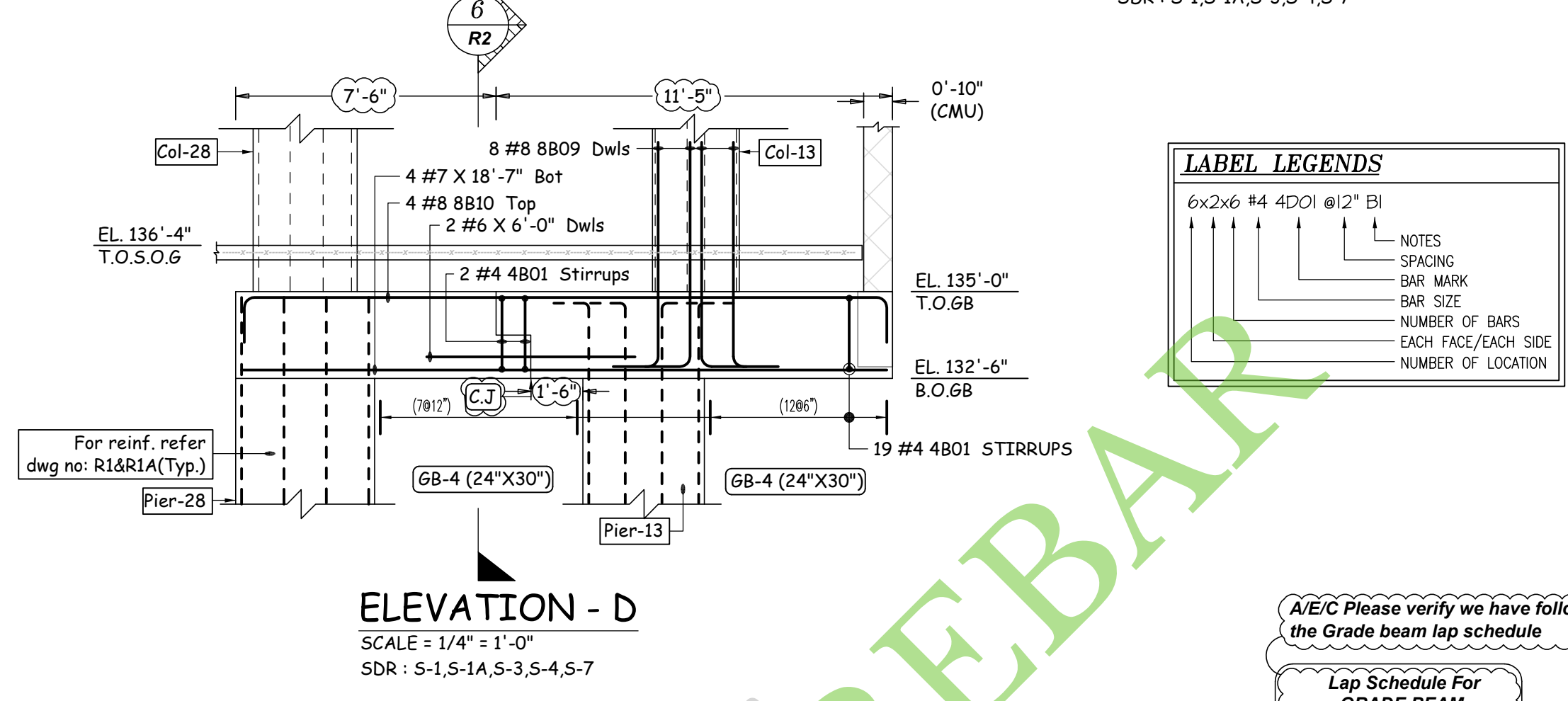
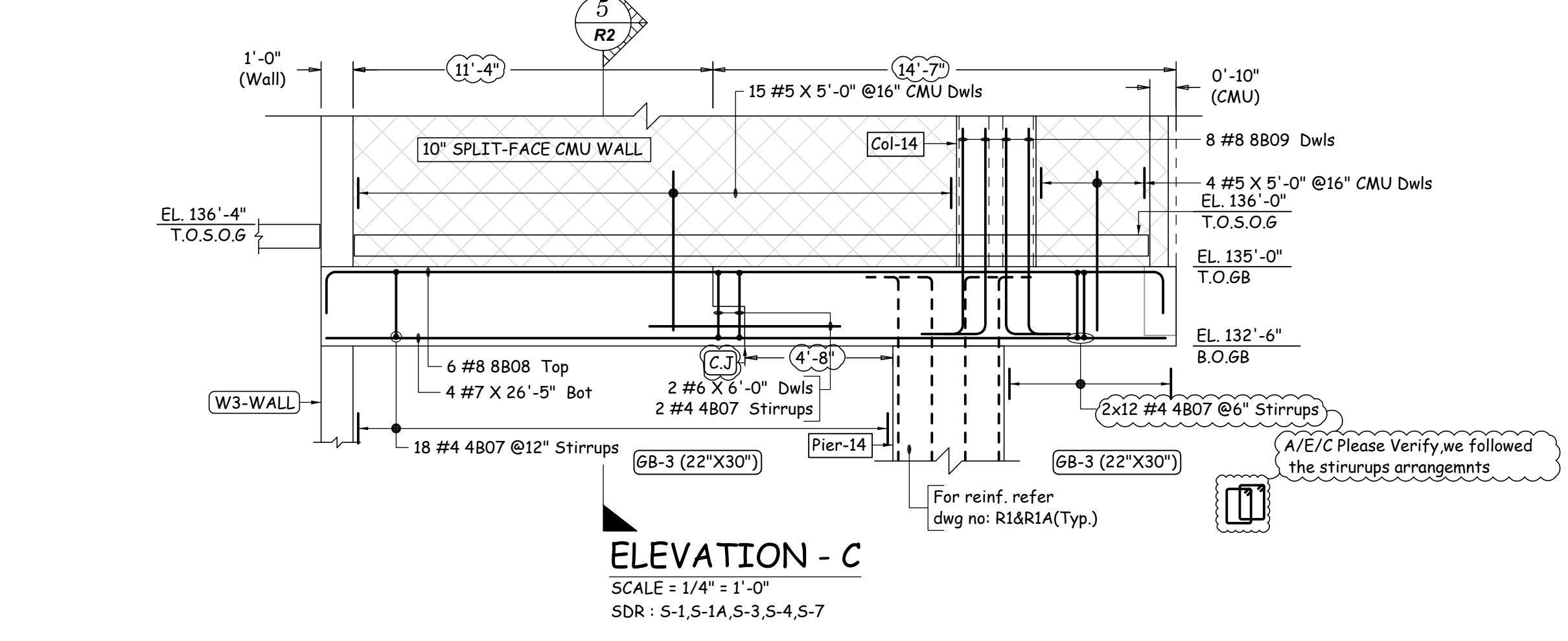
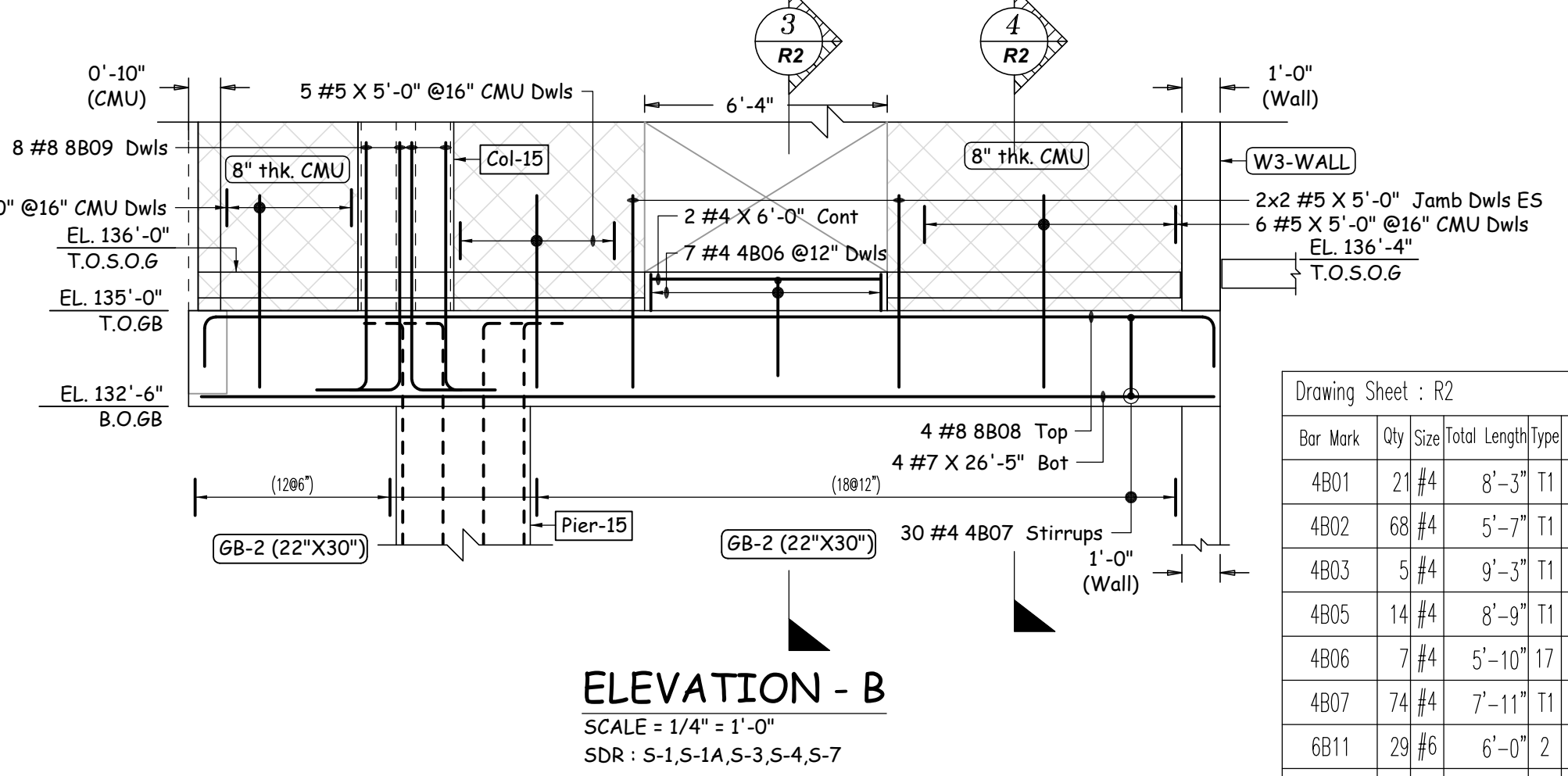
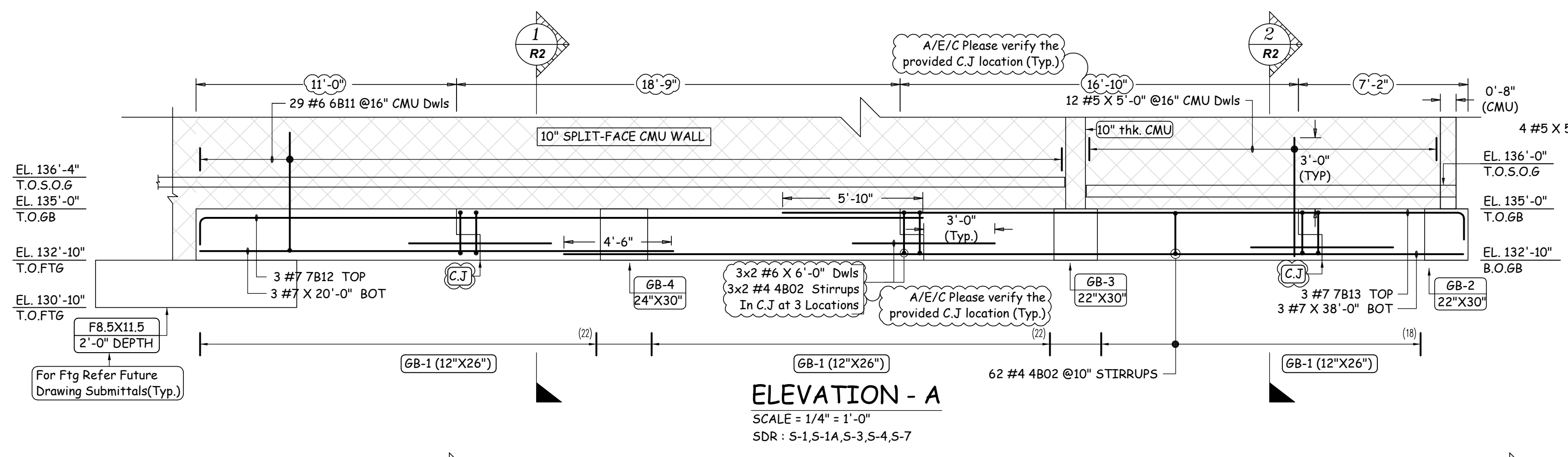


NOTICE

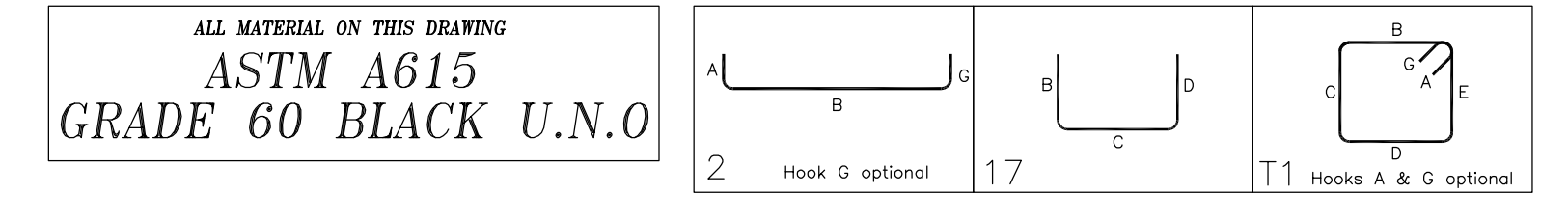
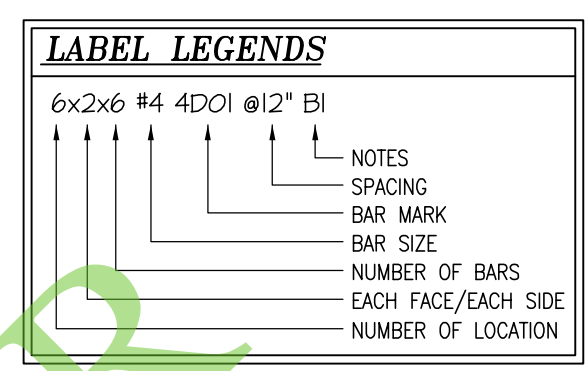
SHORTAGES, IMPROPER FABRICATION OR CLAIMS FOR ANY OTHER REASON MUST BE REPORTED TO THIS COMPANY WITHIN 10 DAYS FROM ORIGINAL DELIVERY. THIS COMPANY ALSO RESERVES THE RIGHT TO FIELD INSPECT MATERIALS PRIOR TO REPLACEMENT OR RECONDITIONING OF MATERIALS AND WILL NOT BE LIABLE FOR CHARGES FROM WORK DONE IN THE FIELD WITHOUT PRIOR AUTHORIZATION FROM THIS COMPANY.

REINFORCING STEEL PLACING DRAWING ONLY USE IN CONJUNCTION WITH CONTRACT DRAWINGS & SPECIFICATIONS. ELEVATIONS & DIMENSIONS SHOWN ON DRAWING ARE FOR DETAILING PURPOSES ONLY AND SHOULD NOT BE USED FOR CONSTRUCTION UNLESS VERIFIED BY ENGINEER OR CONTRACTOR.



Drawing Sheet : R2

Bar Mark	Qty	Size	Total Length	Type	'A'	'B'	'C'	'D'	'E'	'F'	'G'	'H'	'J'	'K'	'O'	'R'
4B01	2	#4	8'-3"	T1	0'-4 1/2"	1'-8"	2'-1"	1'-8"	2'-1"						0'-4 1/2"	
4B02	68	#4	5'-7"	T1	0'-4 1/2"	0'-8"	1'-9"	0'-8"	1'-9"						0'-4 1/2"	
4B03	5	#4	9'-3"	T1	0'-4 1/2"	1'-7"	2'-8"	1'-7"	2'-8"						0'-4 1/2"	
4B05	14	#4	8'-9"	T1	0'-4 1/2"	1'-4"	2'-8"	1'-4"	2'-8"						0'-4 1/2"	
4B06	7	#4	5'-10"	T1		2'-6"	0'-10"	2'-6"								
4B07	74	#4	7'-11"	T1	0'-4 1/2"	1'-6"	2'-1"	1'-6"	2'-1"						0'-4 1/2"	
6B11	29	#6	6'-0"	2	1'-0"	5'-0"										
7B12	3	#7	31'-9"	2	1'-2"	30'-7"										
7B13	3	#7	30'-0"	2	1'-2"	28'-10"										
8B04	5	#8	24'-0"	2	1'-4"	22'-8"										
8B08	10	#8	29'-1"	2	1'-4"	26'-5"									1'-4"	
8B09	24	#8	7'-10"	2	1'-4"	6'-6"									1'-4"	
8B10	4	#8	21'-3"	2	1'-4"	18'-7"										
8B14	7	#8	24'-6"	2	1'-4"	23'-2"										



Provide 3" Cover For Grade/Strap Beam Reinforcement at Bottom -Typical

Provide 2" Cover For Grade/Strap Beam Reinforcement at Side & Top -Typical

A/E/C Please verify we have followed the Grade beam lap schedule

Size	Top	Others
#3	24"	19"
#4	32"	25"
#5	40"	31"
#6	48"	37"
#7	70"	54"
#8	80"	62"
#9	91"	70"

**Lap Schedule For GRADE BEAM
Dowels 4000 PSI (Tension)**

