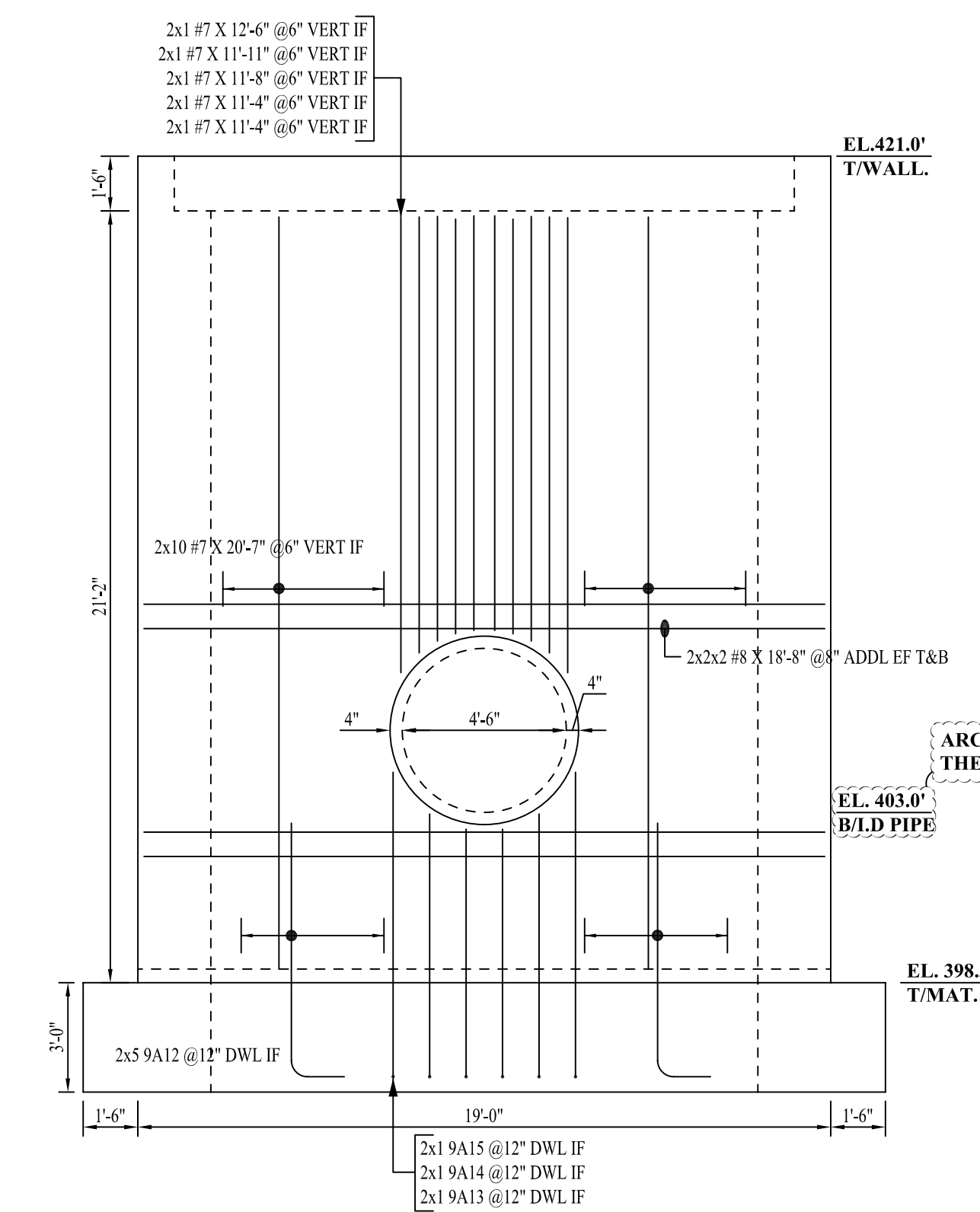
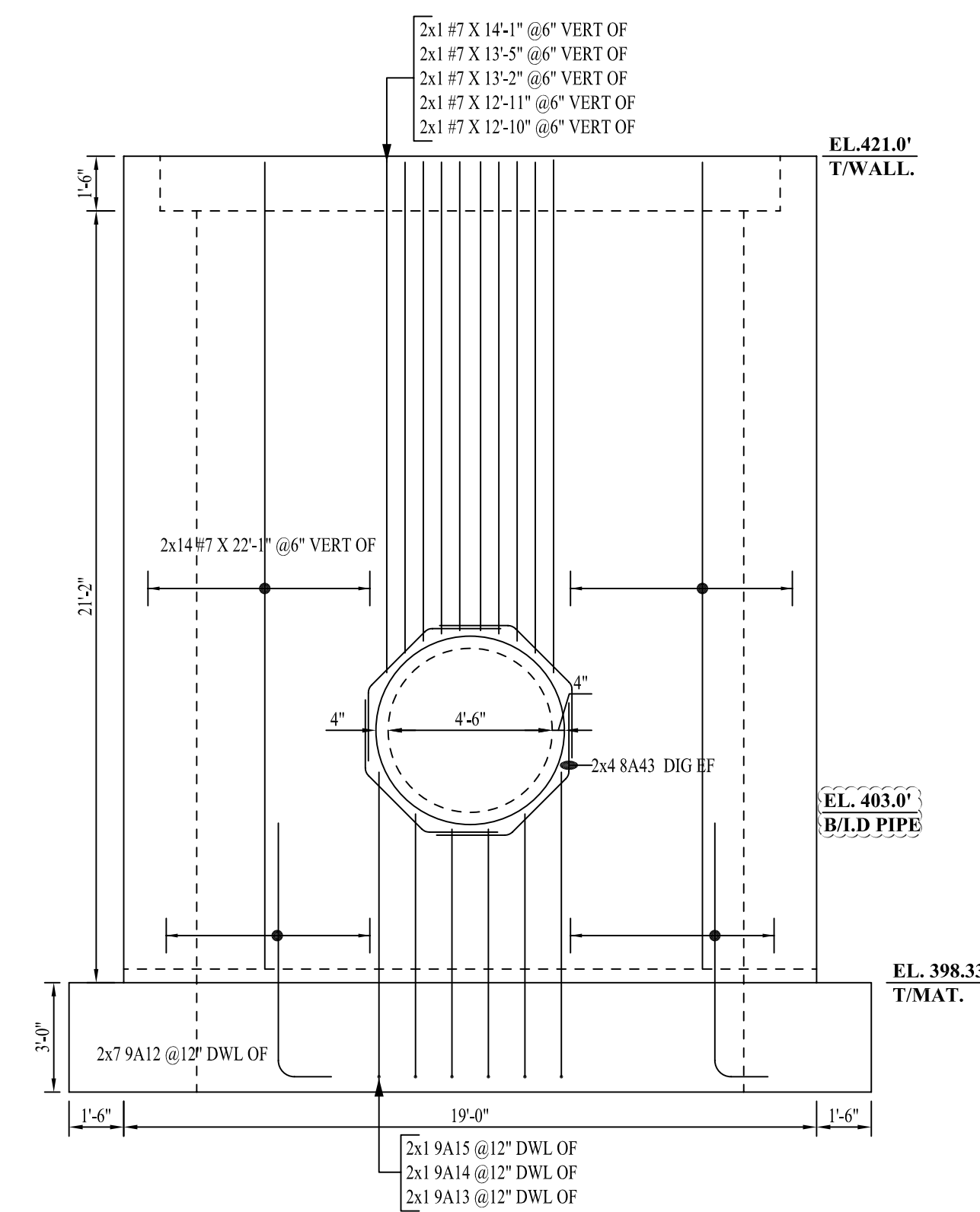
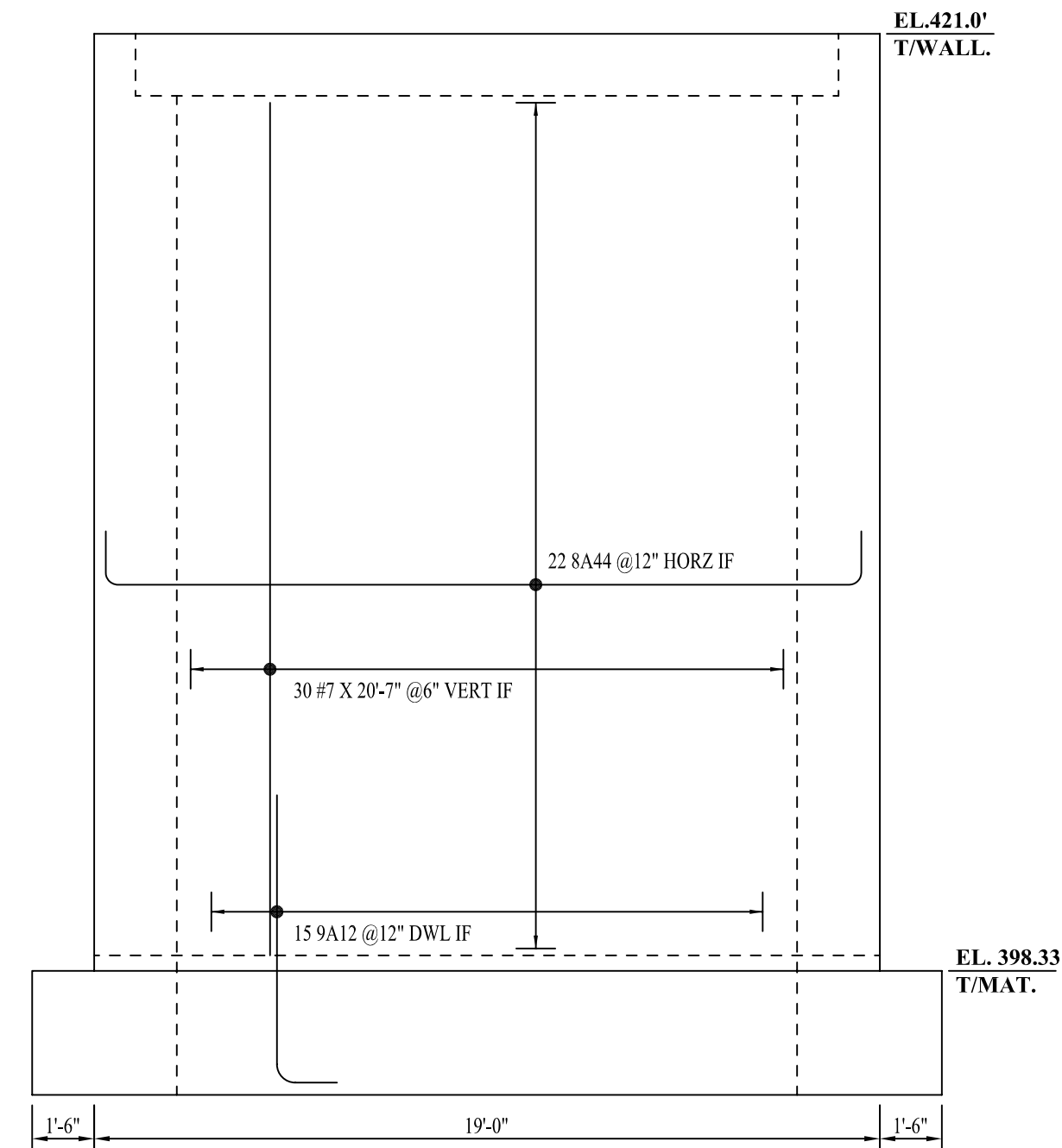
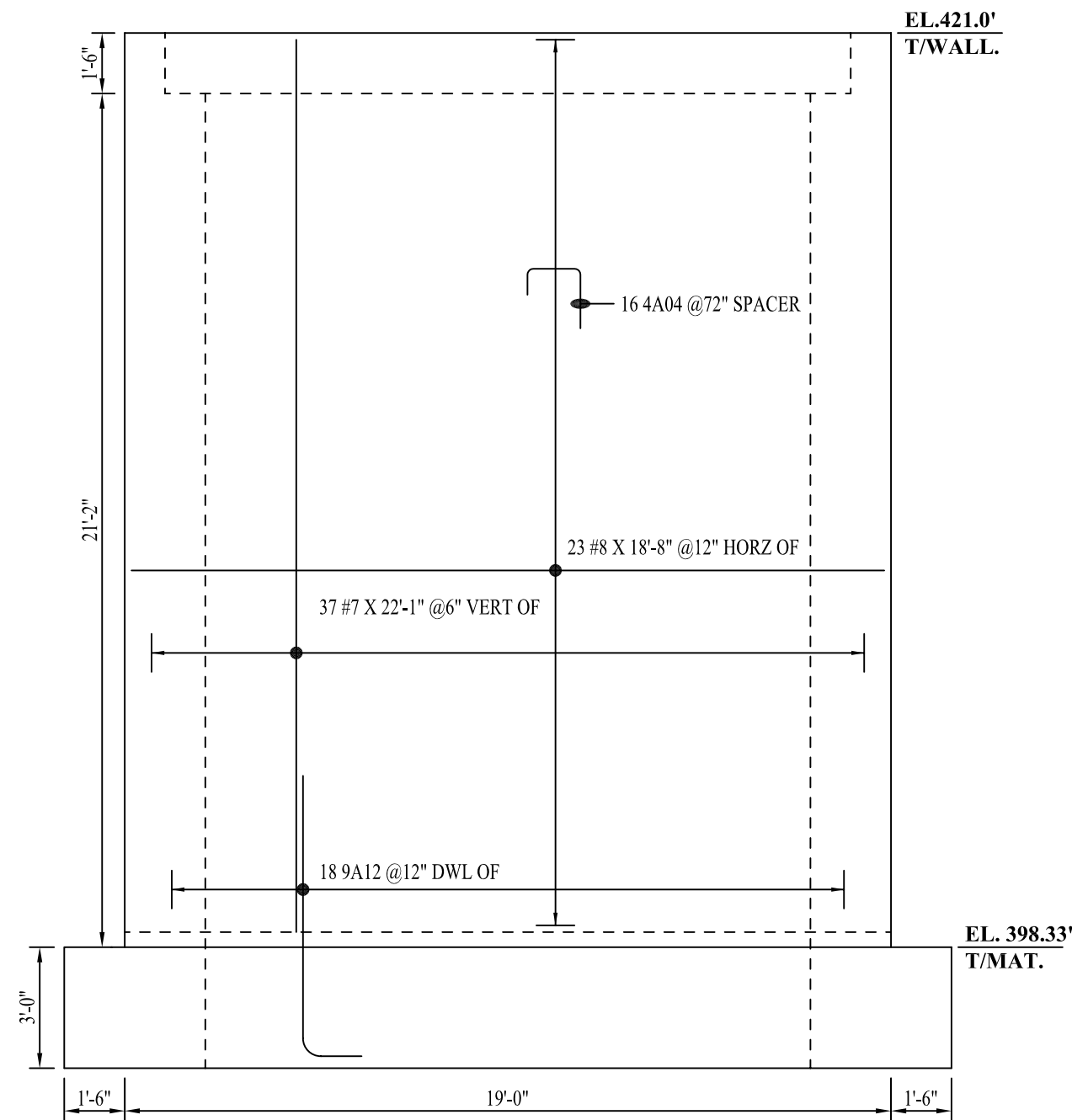
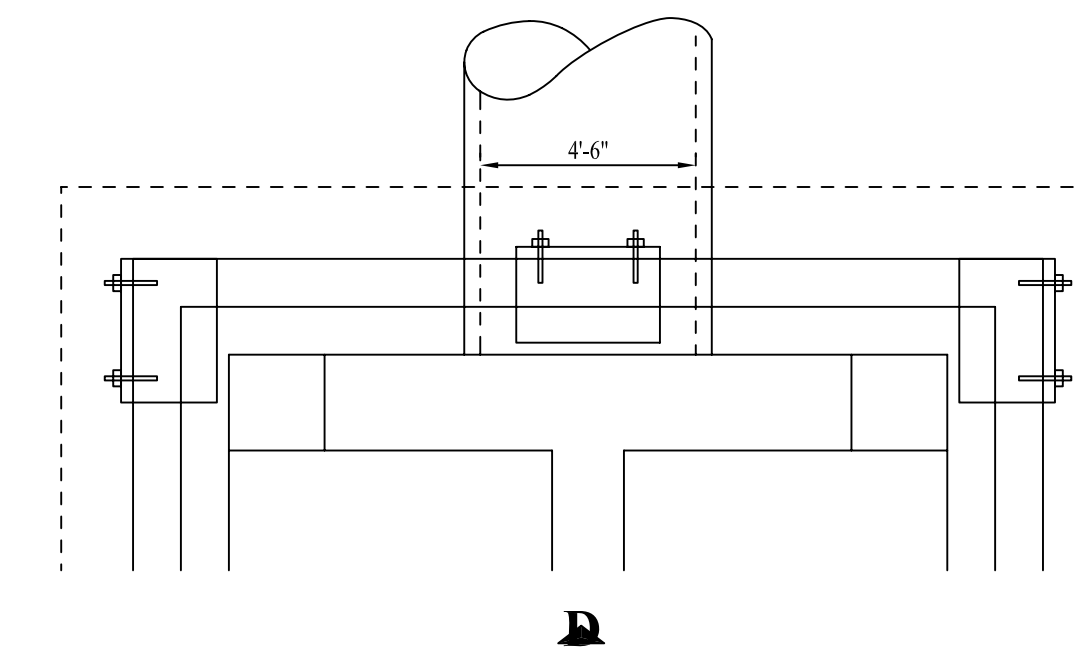
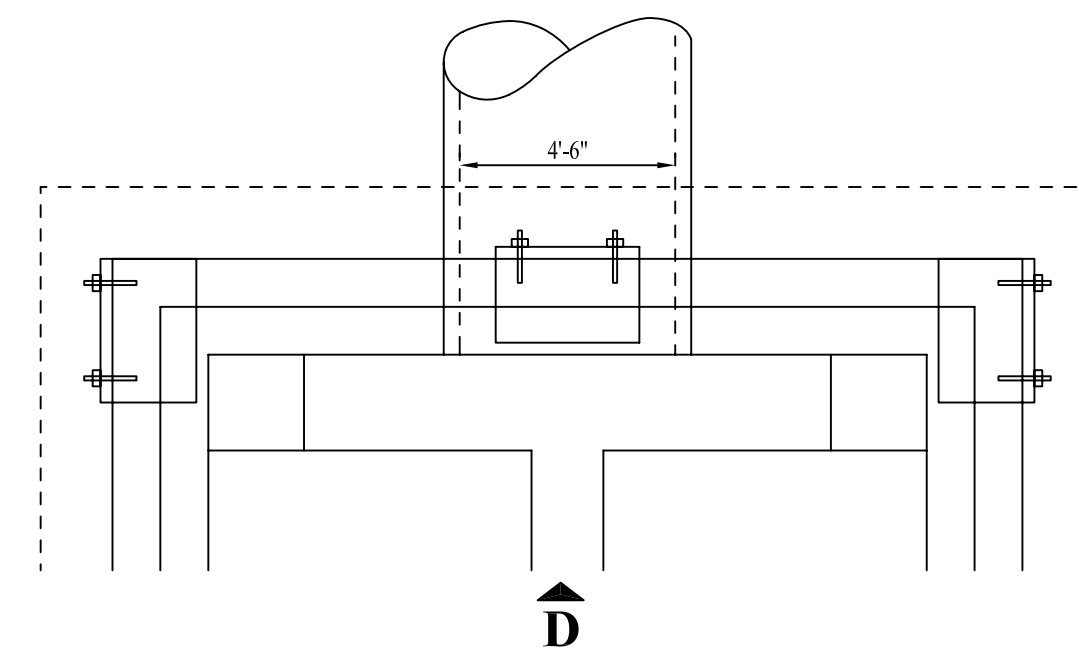
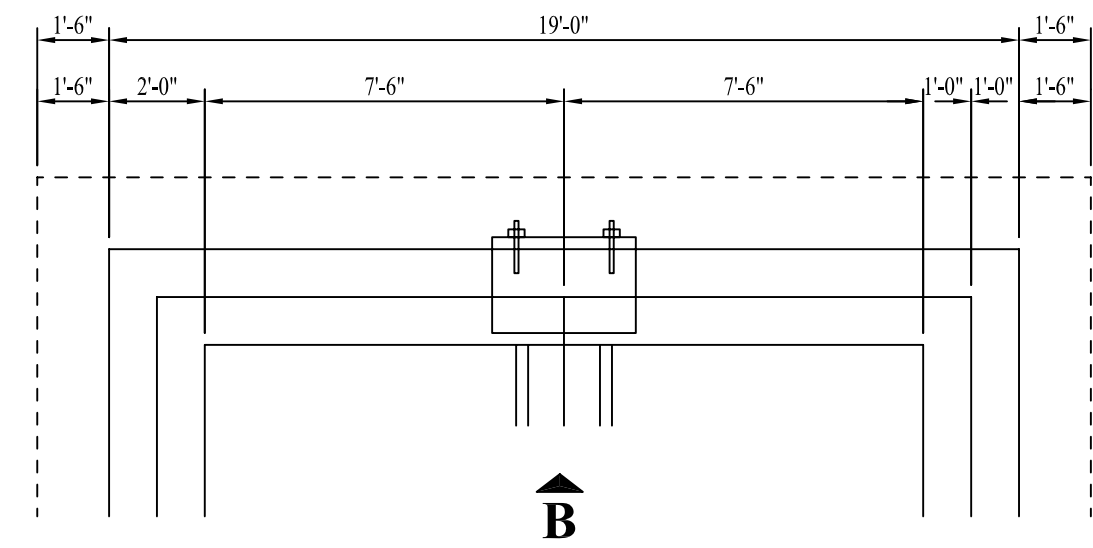
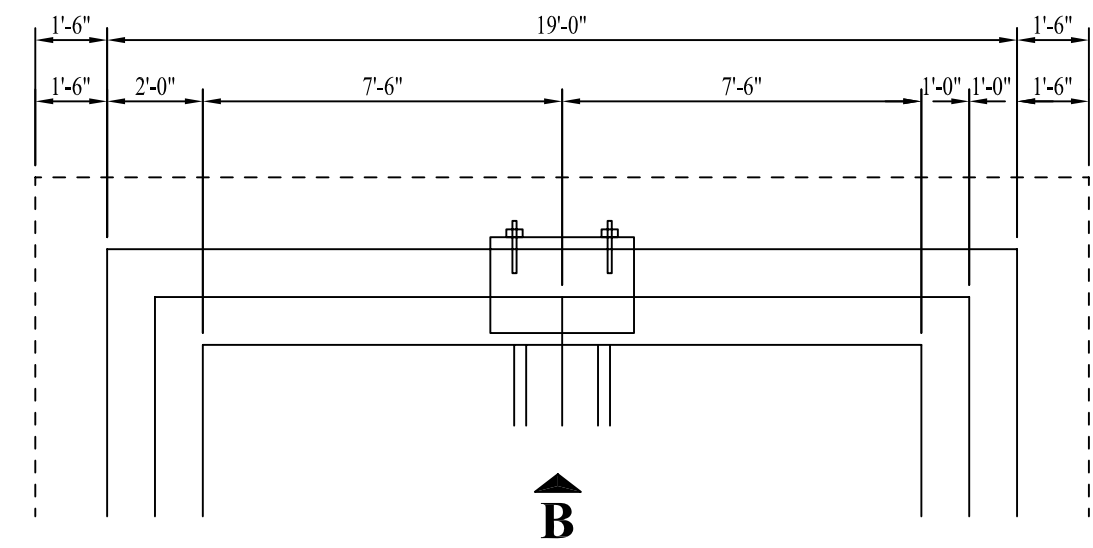


**SECTION 1**  
 SCALE - 1/2"=1'-0"  
 REF:3/S-03





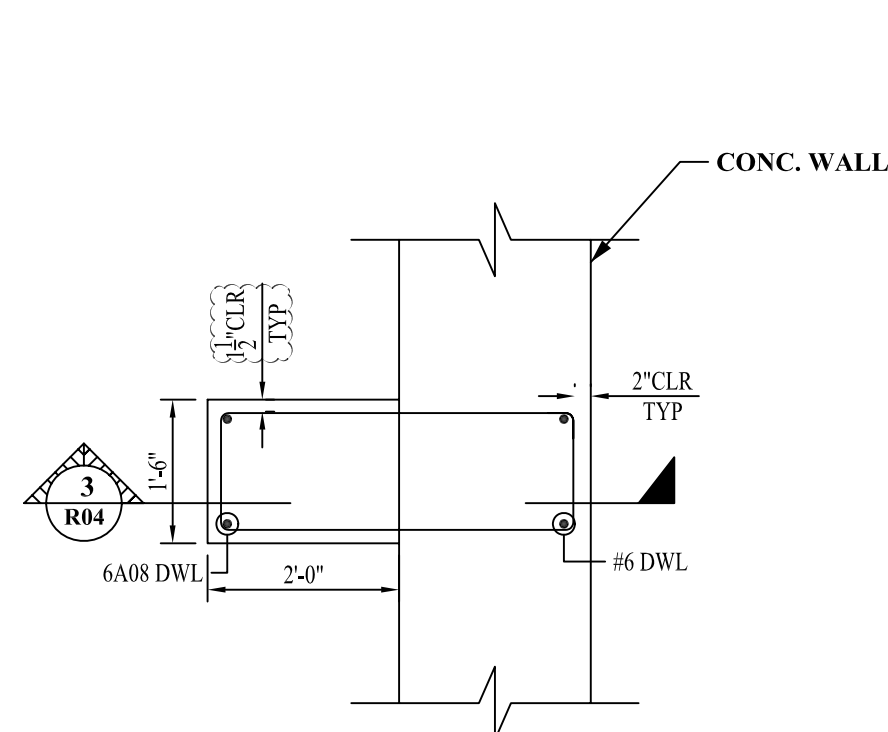
**ELEVATION B**  
SCALE - 1/4"=1'-0"  
REF:3/S-03,A-A/CD-08  
VERT OF  
HORZ OF

**ELEVATION B**  
SCALE - 1/4"=1'-0"  
REF:3/S-03,A-A/CD-08  
VERT IF  
HORZ IF

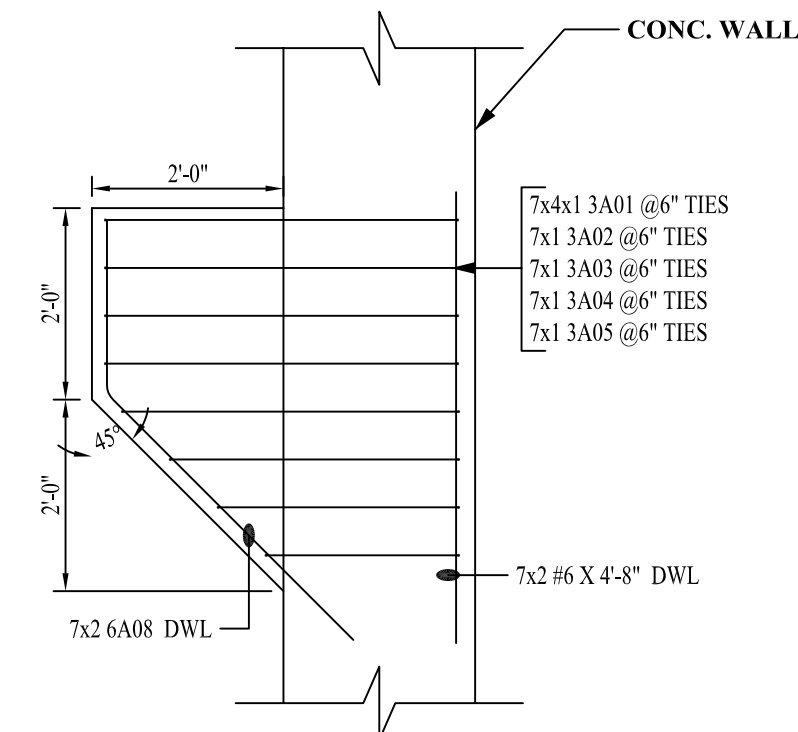
**ELEVATION D**  
SCALE - 1/4"=1'-0"  
REF:3/S-03,A-A/CD-08  
VERT OF

**ELEVATION D**  
SCALE - 1/4"=1'-0"  
REF:3/S-03,A-A/CD-08  
VERT IF

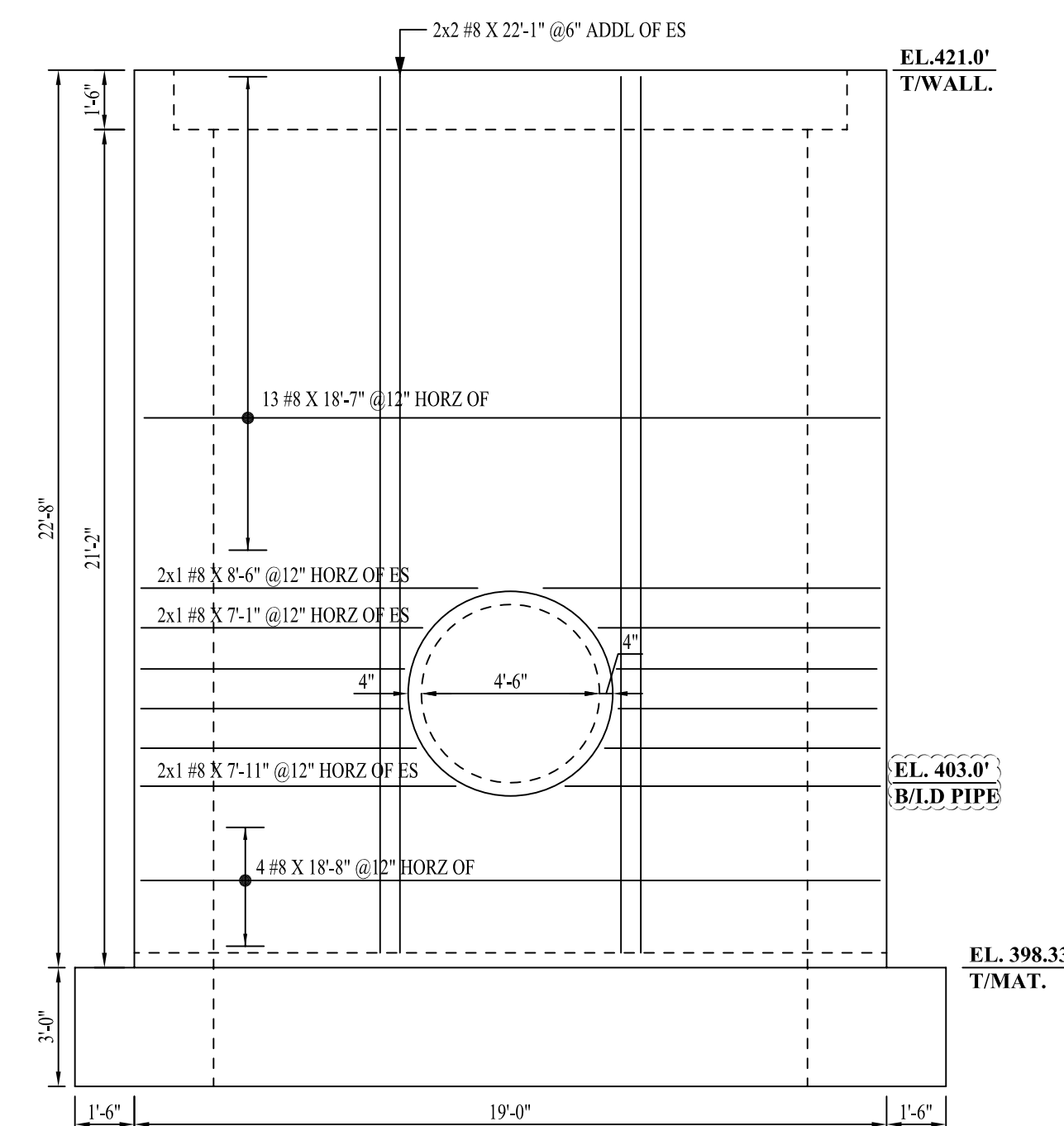
ARCH. ENG. PLEASE VERIFY THE LEVELS (TYP)



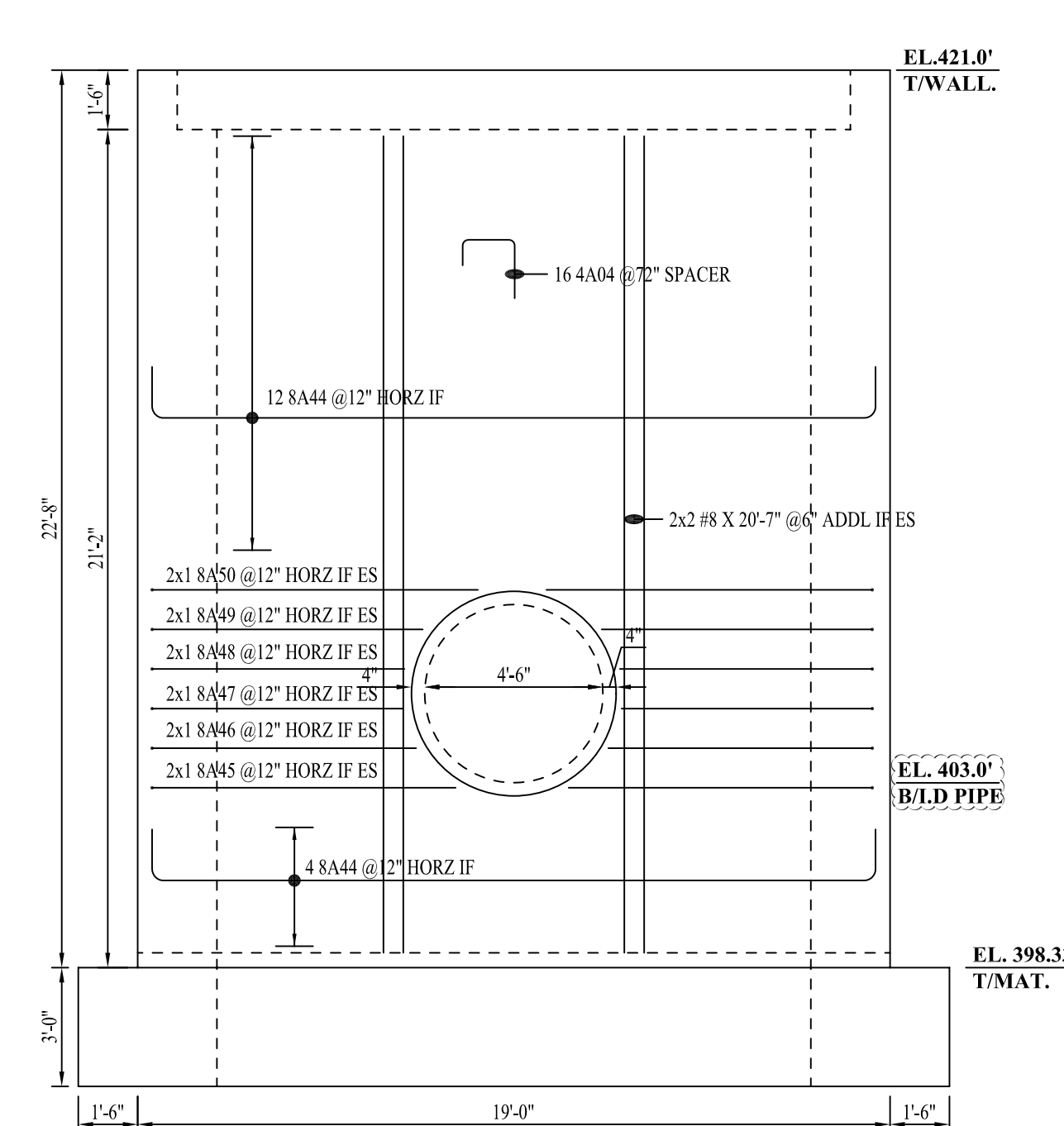
**DETAIL-A**  
SCALE - 1/4"=1'-0"  
REF:3/S-01  
(LOC-7)



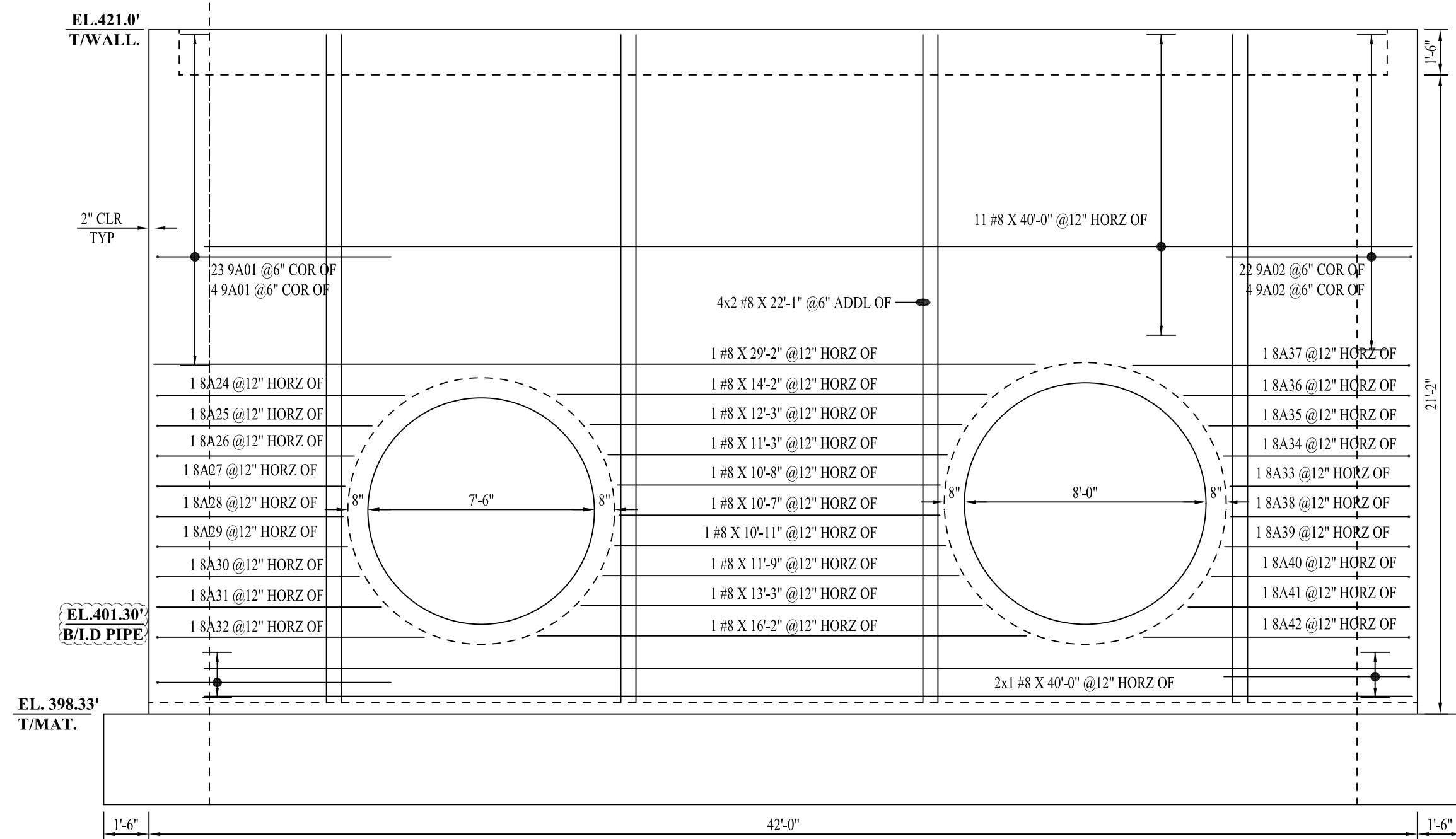
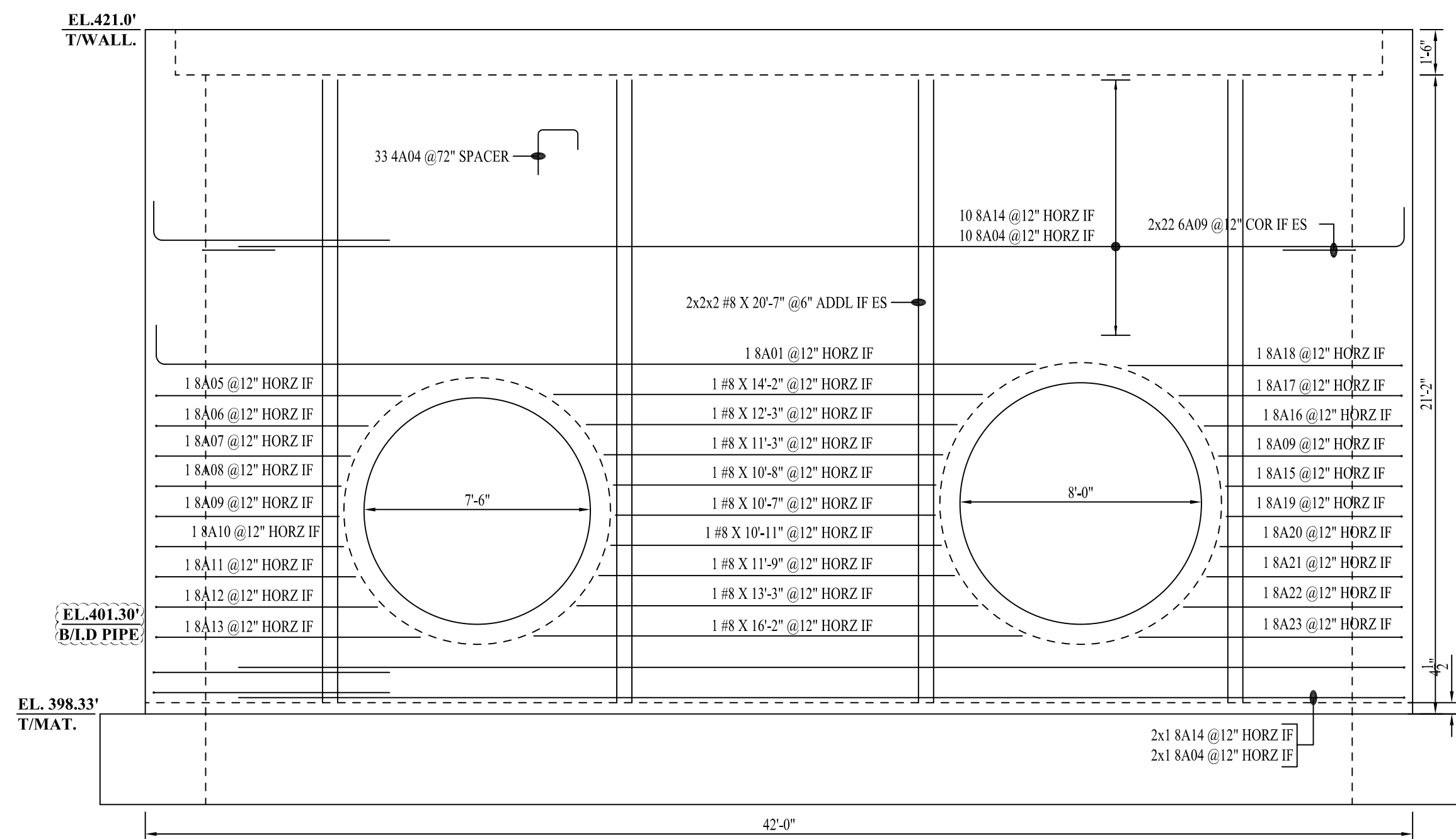
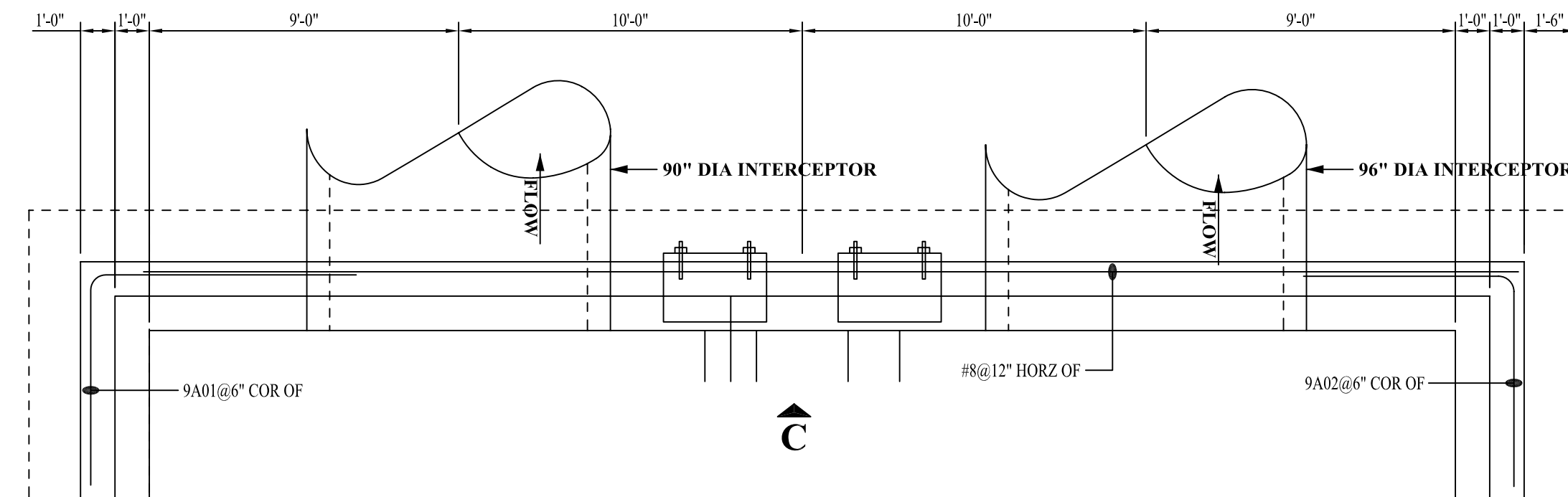
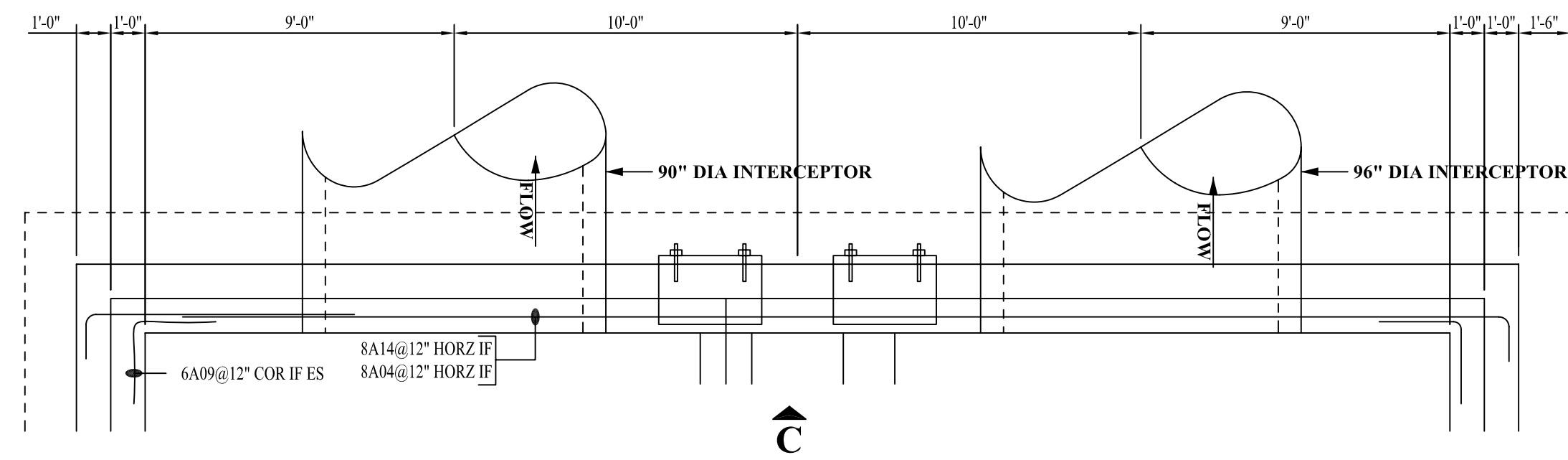
**SECTION 3**  
SCALE - 1/4"=1'-0"  
REF:3/S-01



**ELEVATION D**  
SCALE - 1/4"=1'-0"  
REF:3/S-03,A-A/CD-08  
HORZ OF

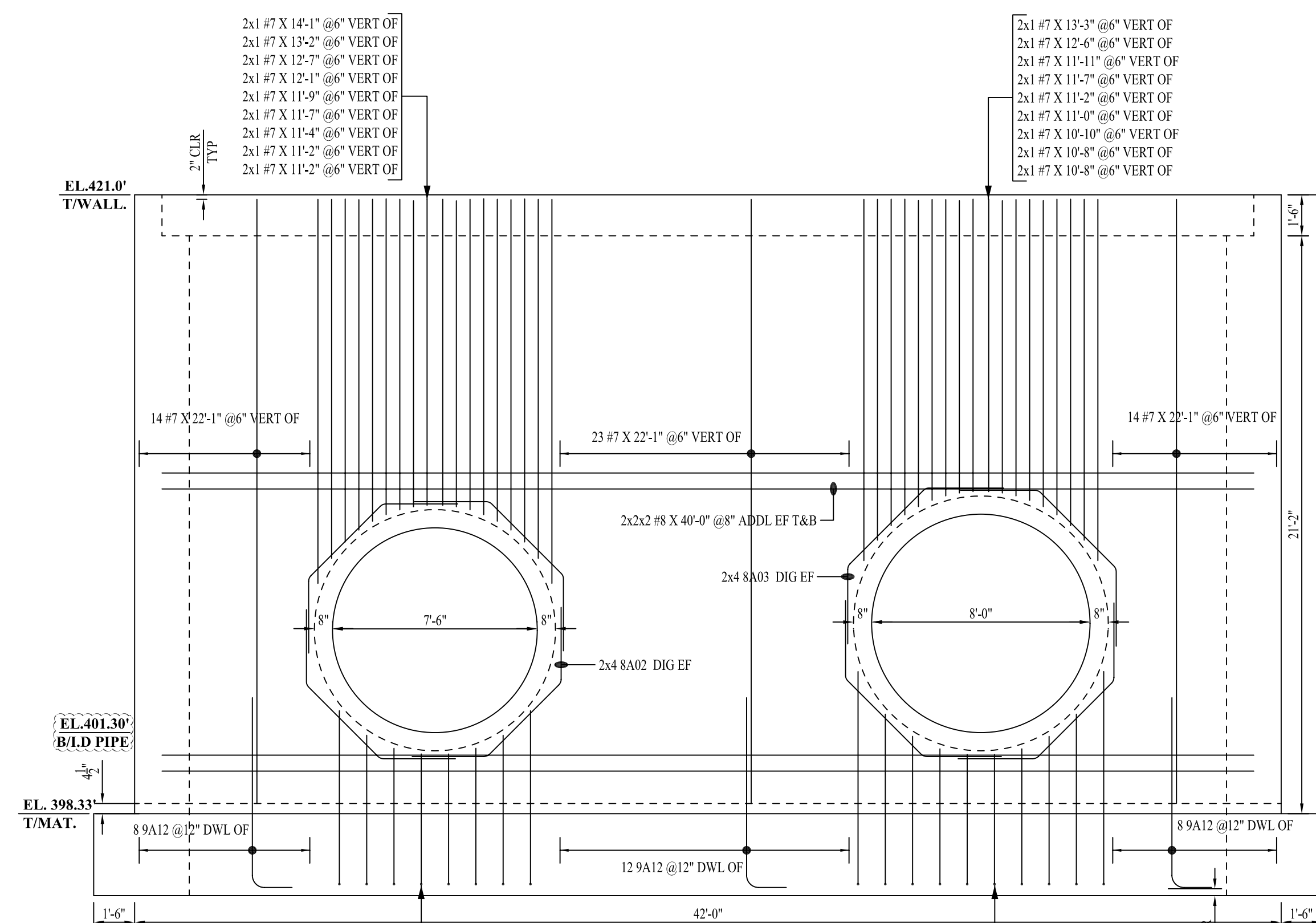
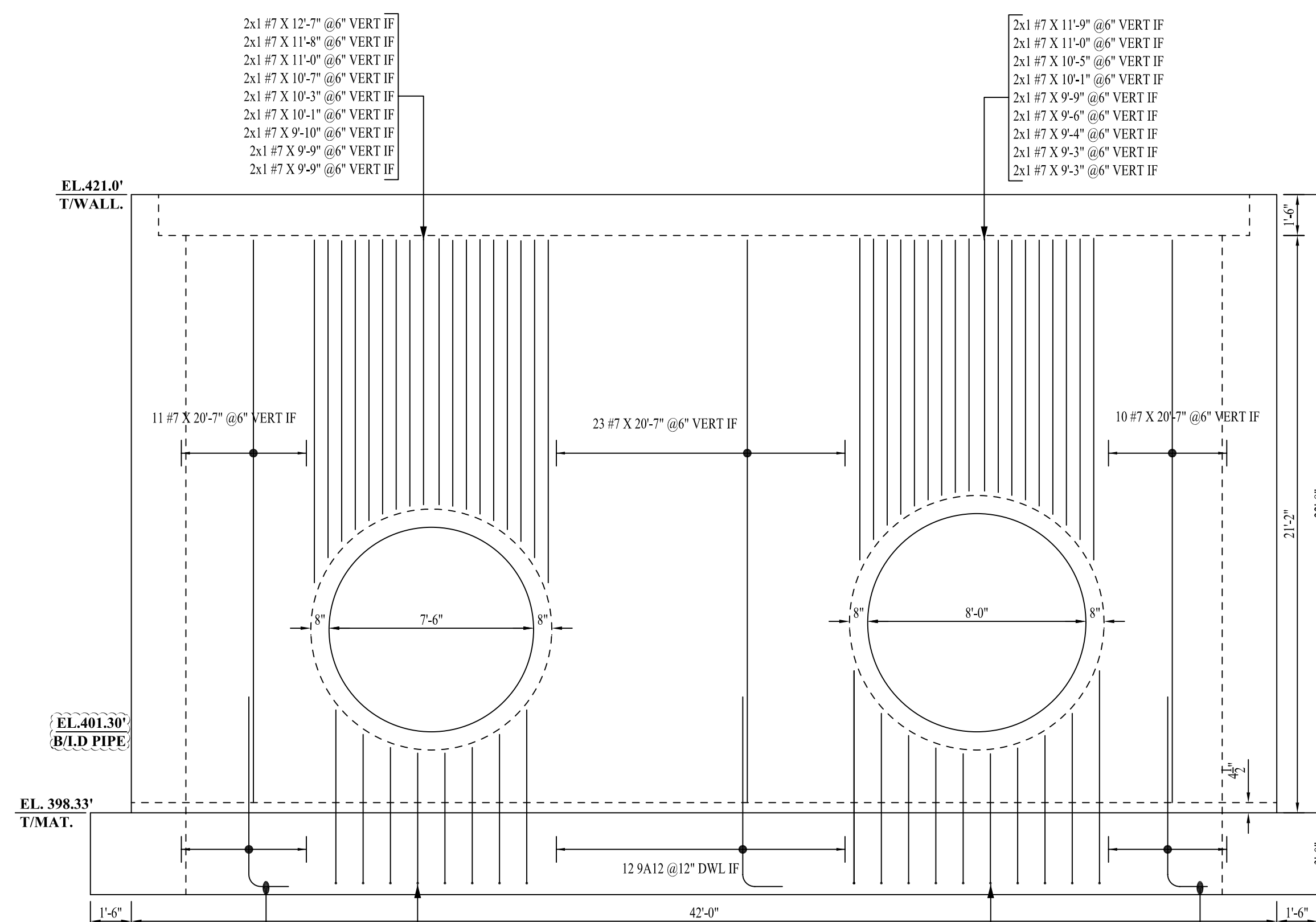


**ELEVATION D**  
SCALE - 1/4"=1'-0"  
REF:3/S-03,A-A/CD-08  
HORZ IF



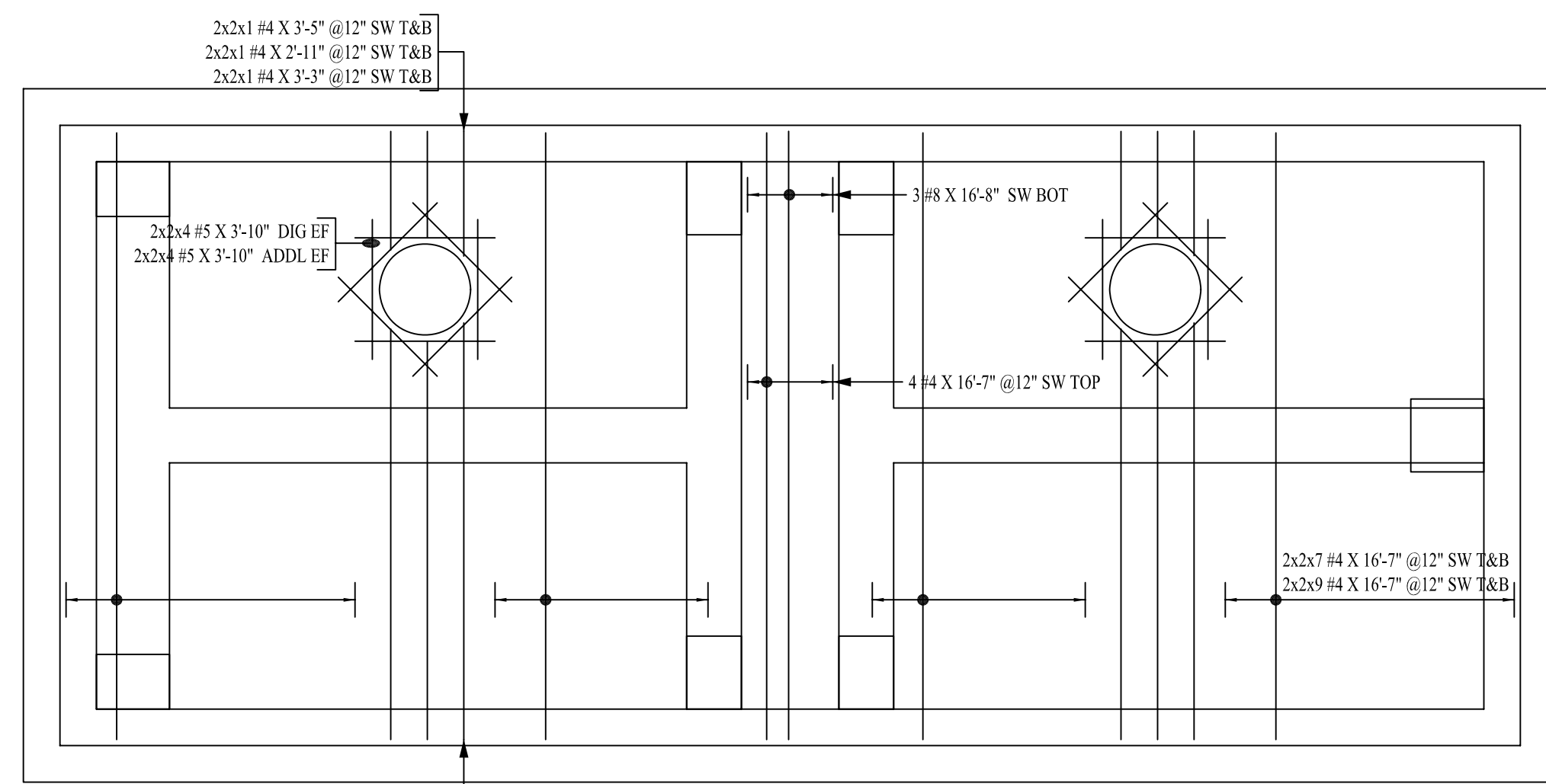
**ELEVATION C**  
SCALE - 1/4"=1'-0"  
REF:4/S-03,A-A/CD-08  
HORZ IF

**ELEVATION C**  
SCALE - 1/4"=1'-0"  
REF:4/S-03,A-A/CD-08  
HORZ OF



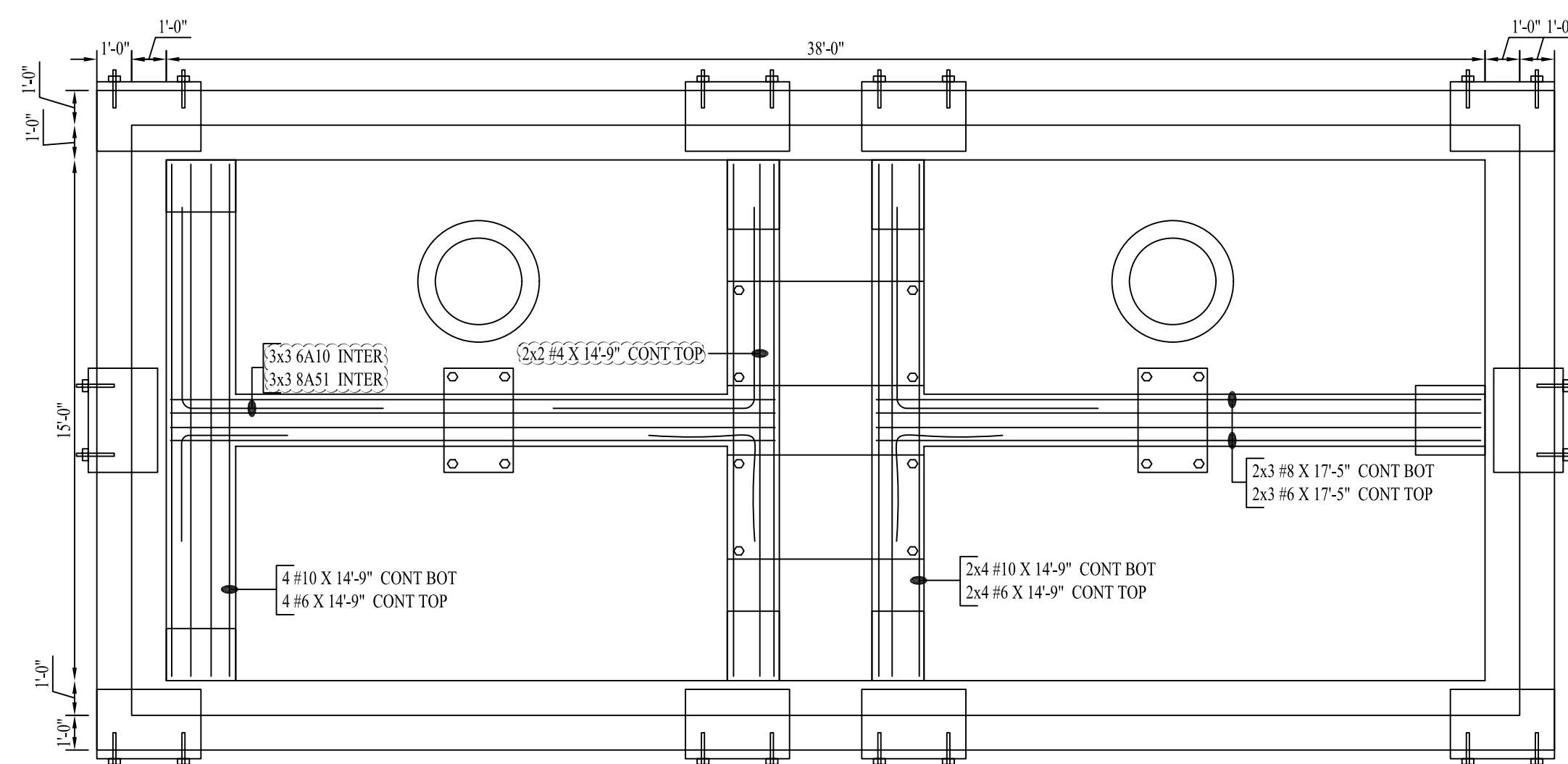
**ELEVATION C**  
SCALE - 1/4"=1'-0"  
REF:4/S-03,A-A/CD-08  
VERT IF

**ELEVATION C**  
SCALE - 1/4"=1'-0"  
REF:4/S-03,A-A/CD-08  
HORZ OF



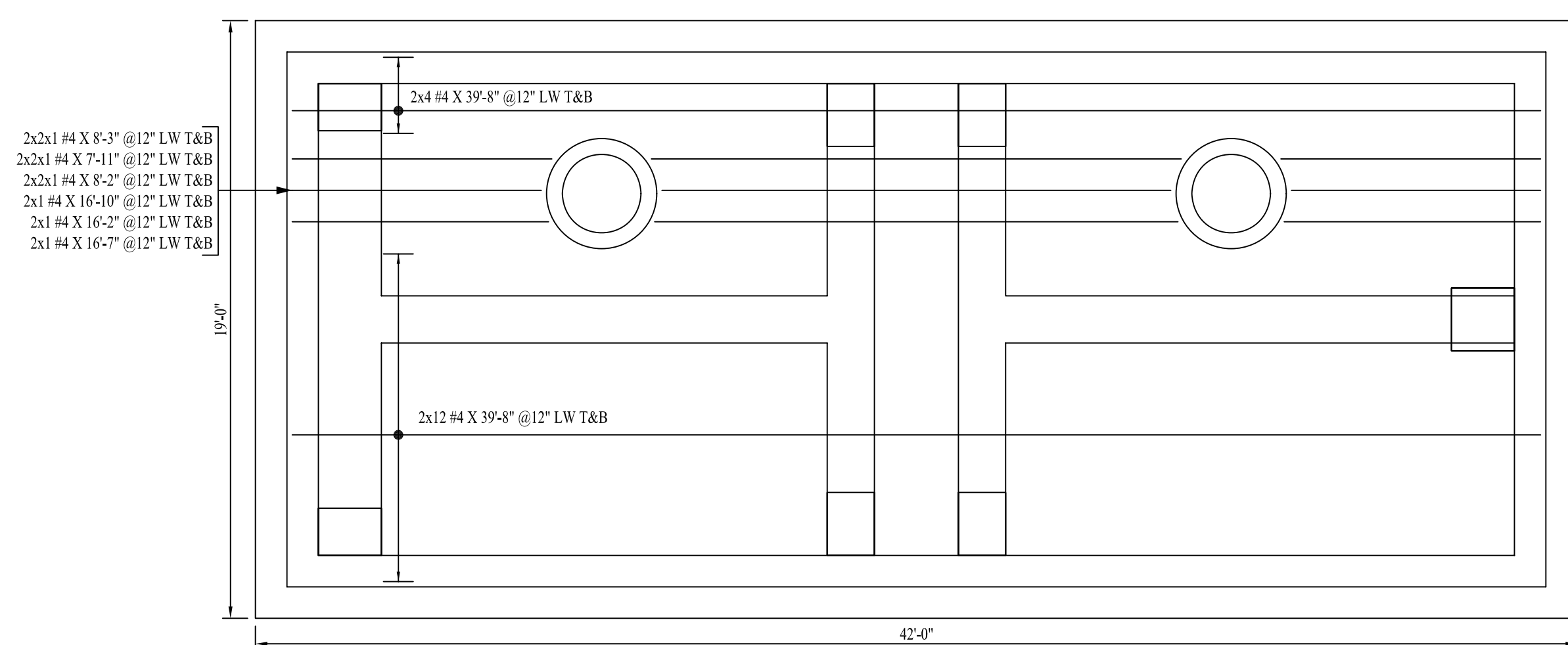
**JUNCTION BOX JB-1 UPPER PLAN**

SCALE - 1/4"=1'-0"  
REF: S-03  
SW T&B



**JUNCTION BOX JB-1 UPPER PLAN**

SCALE - 1/4"=1'-0"  
REF: S-03  
BEAM



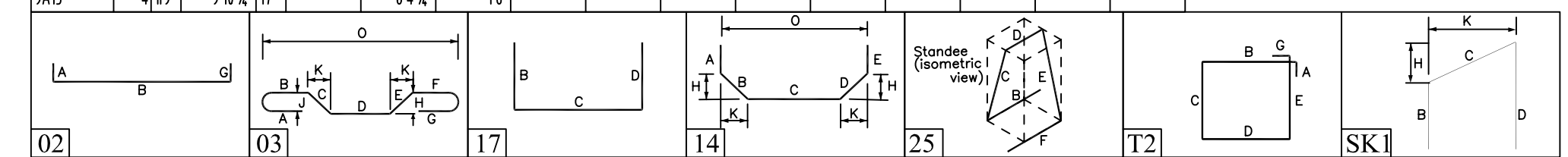
**JUNCTION BOX JB-1 UPPER PLAN**

SCALE - 1/4"=1'-0"  
REF: S-03  
LW T&B

Release Code: RO1-R06

BENDING DETAILS.

Bar Mark	Qty	Size	Total Length	Type	A'	B'	C'	D'	E'	F'	G'	H'	J'	K'	L'	M'
3A01	28	#3	107'	T2	4"	38 1/2"	13"	38 1/2"	13"							
3A02	7	#3	103'	T2	4"	36 1/2"	13"	36 1/2"	13"							
3A03	7	#3	93'	T2	4"	30 1/2"	13"	30 1/2"	13"							
3A04	7	#3	83'	T2	4"	26 1/2"	13"	26 1/2"	13"							
3A05	7	#3	73'	T2	4"	20 1/2"	13"	20 1/2"	13"							
4A01	50	#4	58 1/2'	T5	16"	10 1/2"	8"	10 1/2"	16"			10"			6"	
4A02	15	#4	89'	T2	4 1/2"	19"	23"	19"	23"				4 1/2"			
4A03	60	#4	79'	T2	4 1/2"	13"	23"	13"	23"				4 1/2"			
4A04	98	#4	36 1/2'	T1		16"	14 1/2"	8"								
4A05	32	#4	58'	T1		27"	6"	27"								
5A01	72	#5	86 1/2'	T5	16"	24 1/2"	10"	24 1/2"	16"			23 1/2"			11 1/2"	
6A01	132	#6	74'	T2	10"	16"		16"								
6A02	22	#6	70'	T1		16"	5 1/2"									
6A03	22	#6	126 1/2'	T4	11"	11 1/2"	8"	11 1/2"	11"				9"			9"
6A04	22	#6	119 1/2'	T4	31 1/2"	10 1/2"	34 1/2"	10 1/2"	31 1/2"				8 1/2"			5"
6A05	22	#6	108 1/2'	T1		4 10 1/2"	10"	4 10 1/2"								
6A06	44	#6	50 1/2'	SK1	15 1/2"	13 1/2"	23 1/2"						10 1/2"			10"
6A07	44	#6	85 1/2'	SK1	31 1/2"	13 1/2"	4"						10 1/2"			10"
6A08	14	#6	55 1/2'	T3		10"	37 1/2"						27 1/2"			4 1/2"
6A09	88	#6	4 10 1/2'	T1		25"	25"									
6A10	9	#6	62'	T1		31"										
8A01	2	#8	306 1/2'	T2	14"	292 1/2"										
8A02	16	#8	95'	T3			29 1/2"	310 1/2"	29 1/2"			20 1/2"		11 1/2"		79 1/2"
8A03	16	#8	9 10 1/2'	T3			2 10 1/2"	4 11"	2 10 1/2"			2 11"		20 1/2"		8 1 1/2"
8A04	24	#8	92 1/2'	T2	14"	7 10 1/2"										
8A05	2	#8	95 1/2'	T2	14"	8 1 1/2"										
8A06	2	#8	84 1/2'	T2	14"	7 0 1/2"										
8A07	2	#8	79 1/2'	T2	14"	6 5 1/2"										
8A08	2	#8	76 1/2'	T2	14"	6 2 1/2"										
8A09	4	#8	75 1/2'	T2	14"	6 1 1/2"										
8A10	2	#8	77'	T2	14"	6 3 1/2"										
8A11	2	#8	71 1/2'	T2	14"	6 7 1/2"										
8A12	2	#8	80 1/2'	T2	14"	7 4 1/2"										
8A13	2	#8	101 1/2'	T2	14"	8 9 1/2"										
8A14	24	#8	40 1/2'	T2	14"	38 8"										
8A15	2	#8	72 1/2'	T2	14"	5 10 1/2"										
8A16	2	#8	7 11 1/2'	T2	14"	6 7"										
8A17	2	#8	8 9 1/2'	T2	14"	7 5"										
8A18	2	#8	105 1/2'	T2	14"	9 1 1/2"										
8A19	2	#8	72 1/2'	T2	14"	5 10 1/2"										
8A20	2	#8	74 1/2'	T2	14"	6 0 1/2"										
8A21	2	#8	7 10 1/2'	T2	14"	6 6"										
8A22	2	#8	87 1/2'	T2	14"	7 3 1/2"										
8A23	2	#8	10 11'	T2	14"	8 9"										
8A24	2	#8	132 1/2'	T1		5 0"	8 2 1/2"									
8A25	2	#8	12 1 1/2'	T1		5 0"	7 1 1/2"									
8A26	2	#8	116 1/2'	T1		5 0"	6 6 1/2"									
8A27	2	#8	12 10 1/2'	T1		6 7"	6 3"									
8A28	2	#8	128 1/2'	T1		6 6 1/2"	6 2 1/2"									
8A29	2	#8	132 1/2'	T1		6 10 1/2"	6 4"									
8A30	2	#8	118 1/2'	T1		5 0"	6 8 1/2"									
8A31	2	#8	125 1/2'	T1		5 0"	7 5 1/2"									
8A32	2	#8	13 10 1/2'	T1		5 0"	8 10 1/2"									
8A33	2	#8	126 1/2'	T1		6 7"	5 11 1/2"									
8A34	2	#8	112 1/2'	T1		5 0"	6 2 1/2"									
8A35	2	#8	11 8"	T1		5 0"	6 8"									
8A36	2	#8	12 6 1/2"	T1		5 0"	7 6"									
8A37	2	#8	14 2 1/2"	T1		5 0"	9 2 1/2"									
8A38	2	#8	125 1/2'	T1		6 6 1/2"	5 11 1/2"									
8A39	2	#8	130 1/2'	T1		6 10 1/2"	6 1 1/2"									
8A40	2	#8	11 7 1/2"	T1		5 0"	6 7"									
8A41	2	#8	124 1/2'	T1		5 0"	7 4 1/2"									
8A42	2	#8	13 10 1/2'	T1		5 0"	8 10 1/2"									
8A43	8	#8	6 4 1/2"	T3			2 0"	2 4 1/2"	2 0"				1 5 1/2"		1 5"	5 2 1/2"
8A44	38	#8	210 1/2'	T2	14"	18 4 1/2"										
8A45	2	#8	9 0 1/2'	T2	14"	7 8 1/2"							14"			
8A46	2	#8	8 0 1/2'	T2	14"	6 8 1/2"										
8A47	2	#8	7 8 1/2'	T2	14"	6 4 1/2"										
8A48	2	#8	7 9 1/2'	T2	14"	6 5"										
8A49	2	#8	8 2 1/2'	T2	14"	6 10 1/2"										
8A50	2	#8	9 7 1/2'	T2	14"	8 3 1/2"										
8A51	9	#8	11 8"	T1		5 10"	5 0"									
9A01	4 1/2	#9	13 11 1/2'	T1		7 9 1/2"	6 2"									
9A02	6 5/8	#9	12 4 1/2'	T1		6 7"	6 2"									
9A03	8	#9	6 3 1/2'	T1		16"	4 9 1/2"									
9A04	8	#9	6 6 1/2'	T1		16"	5 0 1/2"									
9A05	8	#9	7 0 1/2'	T1		16"	5 6"									
9A06	8	#9	7 10 1/2'	T1		16"	6 4 1/2"									
9A07	8	#9	6 3 1/2'	T1		16"	4 9 1/2"									
9A08	8	#9	6 6 1/2'	T1		16"	5 0"									
9A09	8	#9	6 11 1/2'	T1		16"	5 5 1/2"									
9A10	8	#9	7 9 1/2'	T1		16"	6 3 1/2"									
9A11	8	#9	9 4 1/2'	T1		16"	7 10"									
9A12	16	#9	8 3 1/2'	T1		16"	7 0"									
9A13	4	#9	8 1 1/2'	T1		6 10"	16"									
9A14	4	#9	8 9 1/2'	T1		7 3"	16"									
9A15	4	#9	9 10 1/2'	T1		8 4 1/2"	16"									



**LAP SCHEDULE**

SIZE	BEAM & COLUMN		WALL & SLAB	
	TOP	OTHER	TOP	OTHER
#3	16"	16"	16"	16"
#4	20"	16"	20"	16"
#5	26"	20"	29"	22"
#6	37"	29"	29"	23"
#7	60"	47"	48"	37"
#8	70"	54"	60"	47"
#9	80"	62"	74"	57"
#10	92"	70"	91"	70"
#11	103"	79"	109"	84"